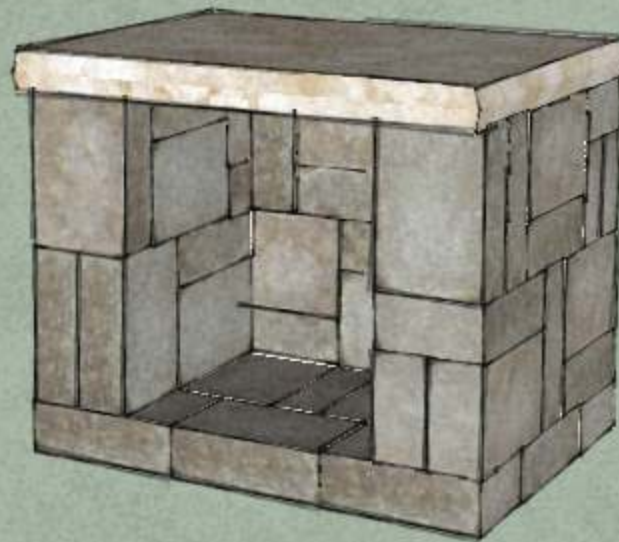
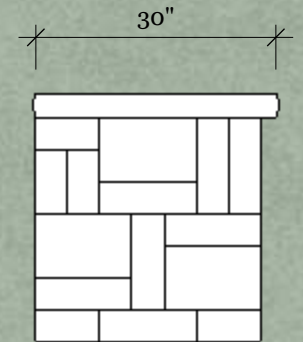
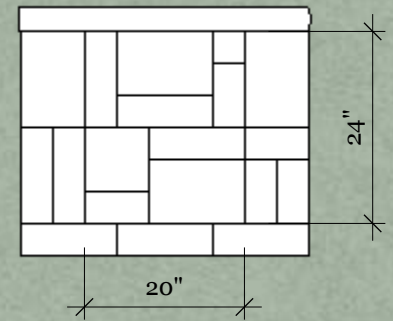
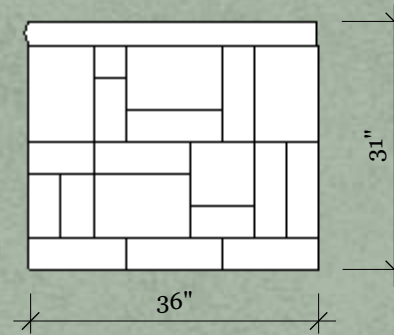


WB-3628

Wood Storage Boxes

WOOD BOXES

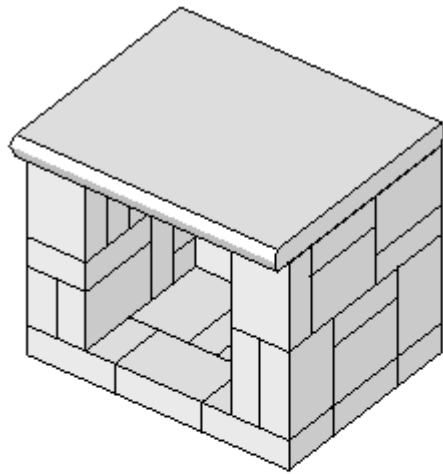


Dakota Stone™

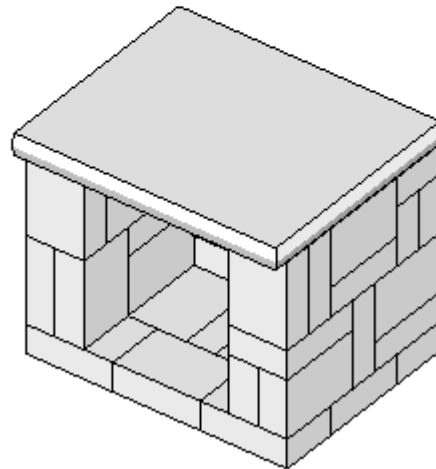
Step by step instructions for assembling WB-3628 on a prepared surface/base.

**BUILD WITH
DAKOTA**

All sizes in this document are approximate.



These wood boxes will fit on any Dakota Stone™ Fireplace. For The two sided fireplace, we recommend the two sided wood storage boxes.



This set of instructions assumes you are building on a level grade on a level foundation.

When constructing your project, be sure to keep all blocks level, square, and plumb. Use a four foot level and check often. Starting on a level foundation is key. When gluing blocks together, be sure not to use too much adhesive – this will cause the blocks to “swim.” A small bead is ideal.

This Project Requires:

- 96 Dakota Stone™ (4x8x12)
- 2 Long Halves (4x4x12)
- 2 Slabs 30" x 36"
- 4 Tubes Adhesive

Tools Needed:

- Dead Blow Hammer
- Caulk Gun
- 4 Foot Level
- Torpedo Level
- Square

Dakota Stone™

**BUILD WITH
DAKOTA**

WB-3628

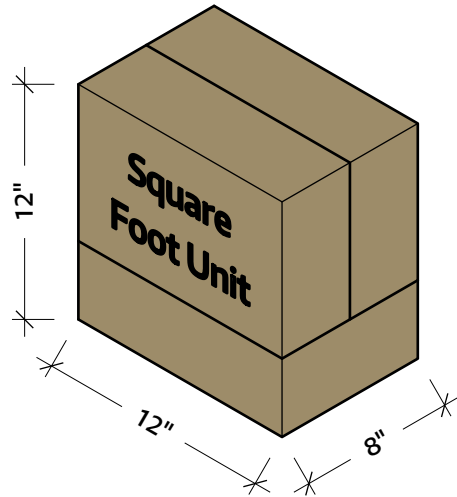
Wood Storage Boxes

REVISIONS

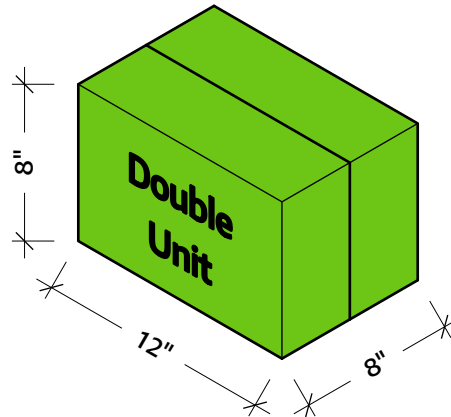
	MM/DD/YY	REMARKS
1	02/25/15	Simplified instructions using colored units. TP
2	06/04/15	2 SKU and QR update
3	--/--/--	...
4	--/--/--	...
5	--/--/--	...

INFO

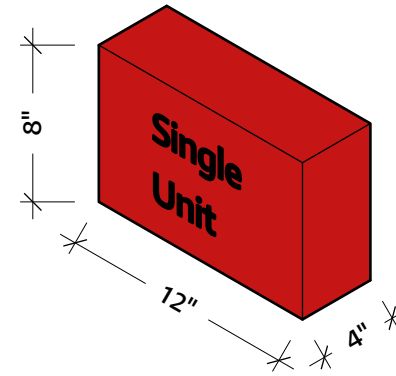
All sizes in this document are approximate.



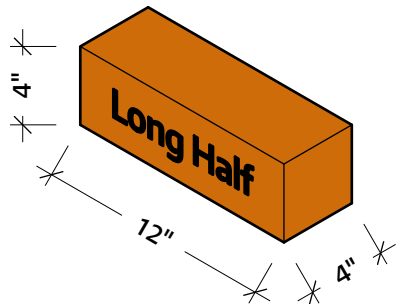
The "Square Foot Unit." consists of three block as shown. By rotating this unit (SFU) we are able to build quickly and easily while keeping bond lines broken up. These will always be shown in a tan color.



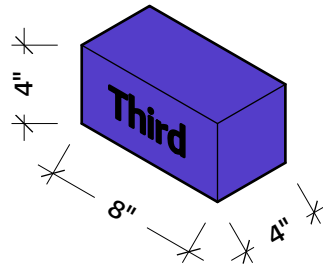
Sometimes SFUs are broken up or can't be used. The Double Unit is the next preferred unit. Double Units are grouped for strength and speed in construction. They are always represented in green.



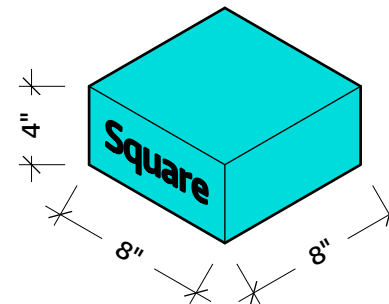
The Single Unit is the basis for all the construction, of course. When used in a single or non-standard configuration, you will see Dakota Stone™ depicted in red.



Long Halves are simply made by cutting a block along its center on the longest axis.



Cutting four inches off the short end of a Dakota Stone will get you a Third block (and a Square one).



Cutting four inches off the short end of a Dakota Stone will get you a Square block (and a Third one).

Unit Size Color Key

When constructing your project, be sure to keep all blocks level, square, and plumb. Use a four foot level and check often. Starting on a level foundation is key. When gluing blocks together, be sure not to use too much adhesive - this will cause the blocks to "swim." A small bead is ideal.

Dakota Stone™

**BUILD WITH
DAKOTA**

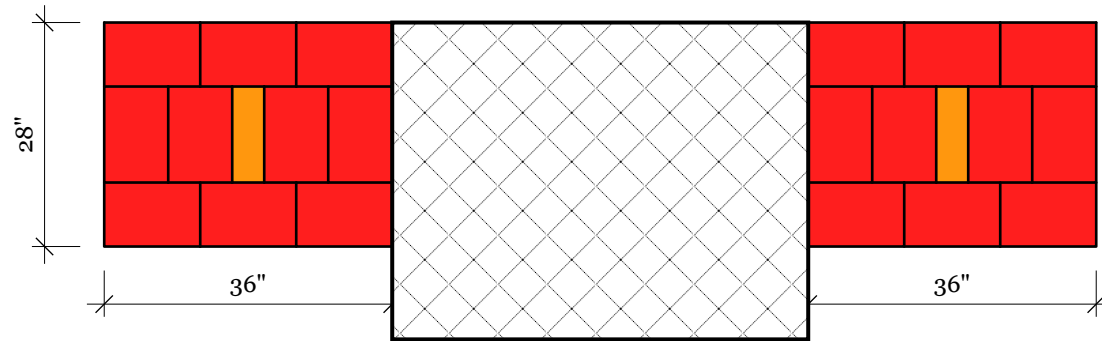
WB-3628

Wood Storage Boxes

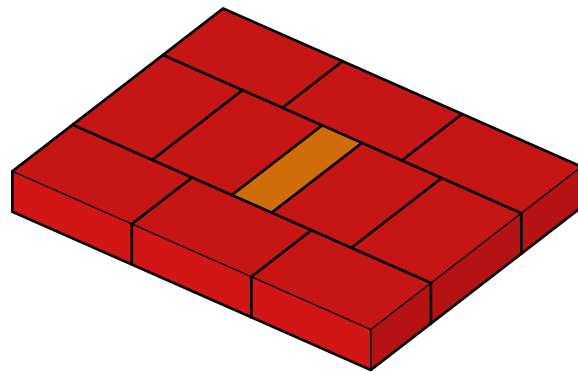
REVISIONS

	MM/DD/YY	REMARKS
1	02/25/15	Simplified instructions using colored units. TP
2	06/04/15	2 SKU and QR update
3	--/--/--	...
4	--/--/--	...
5	--/--/--	...

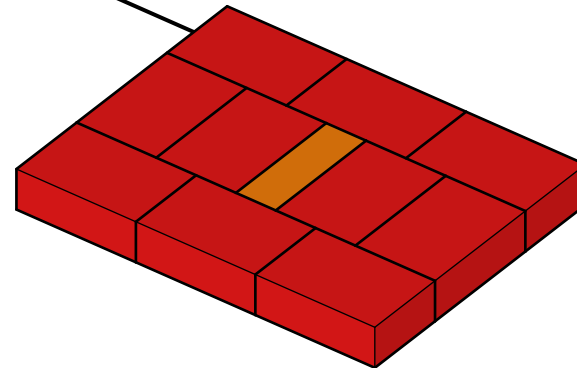
KEY1



Place fire boxes touching the sides and flush to the back of your fireplace.



Back side of fireplace



Lay out the first course of your kit. This is the "foundation" on which you will build your Wood Storage Boxes. Take time to make sure it is as perfect as possible. Be sure this course is level and square. Any mistakes made here will continue to show up as you build.

When constructing your project, be sure to keep all blocks level, square, and plumb. Use a four foot level and check often. Starting on a level foundation is key. When gluing blocks together, be sure not to use too much adhesive - this will cause the blocks to "swim." A small bead is ideal.

Dakota Stone™

**BUILD WITH
DAKOTA**

WB-3628

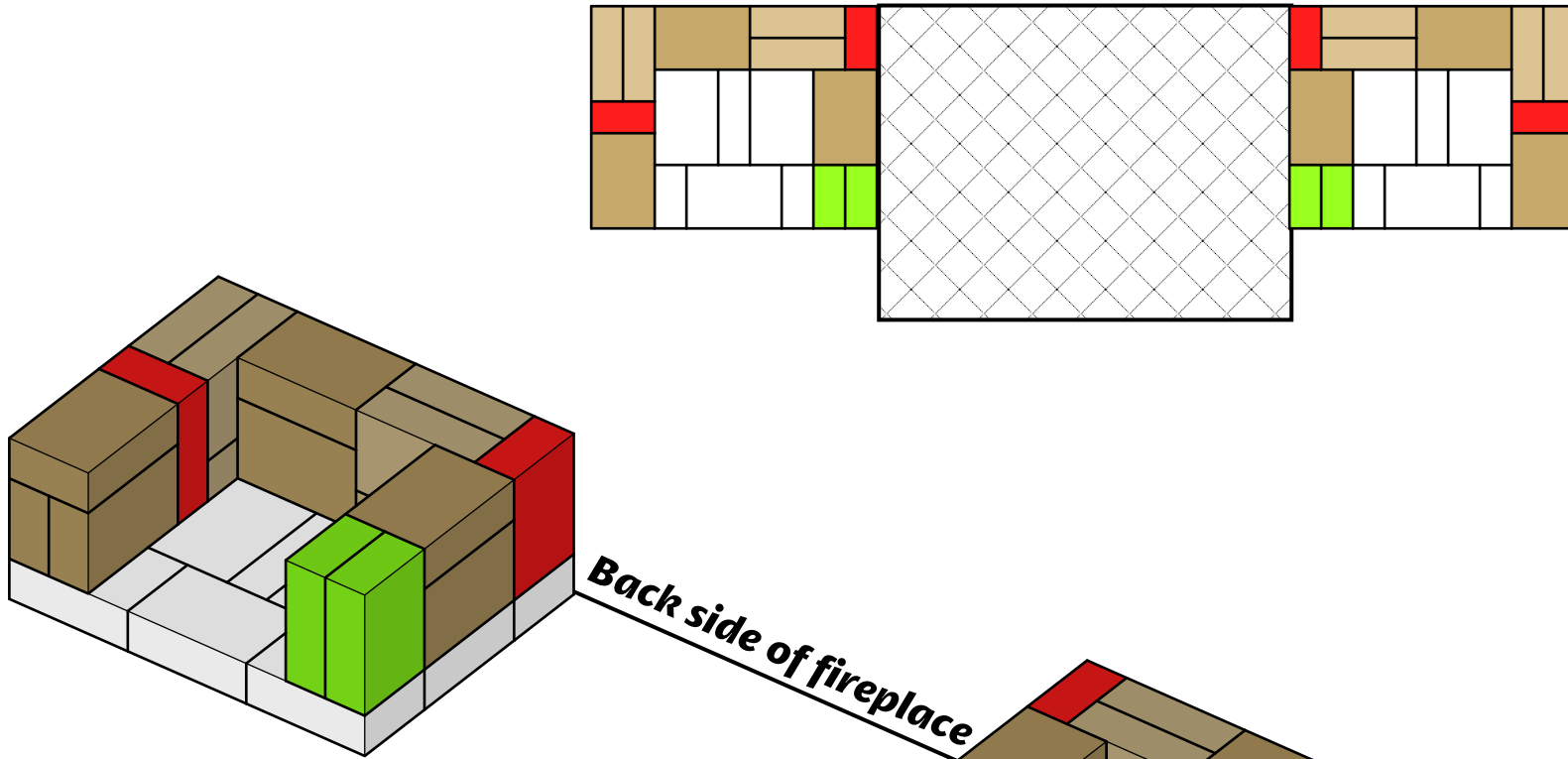
Wood Storage Boxes

REVISIONS

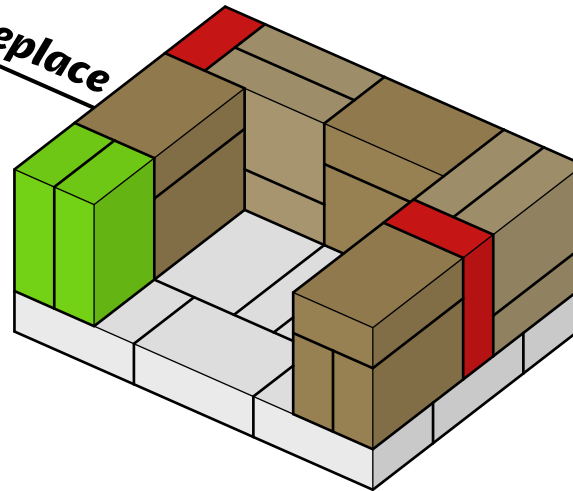
	MM/DD/YY	REMARKS
1	02/25/15	Simplified instructions using colored units. TP
2	06/04/15	2 SKU and QR update
3	--/--/--	...
4	--/--/--	...
5	--/--/--	...

01

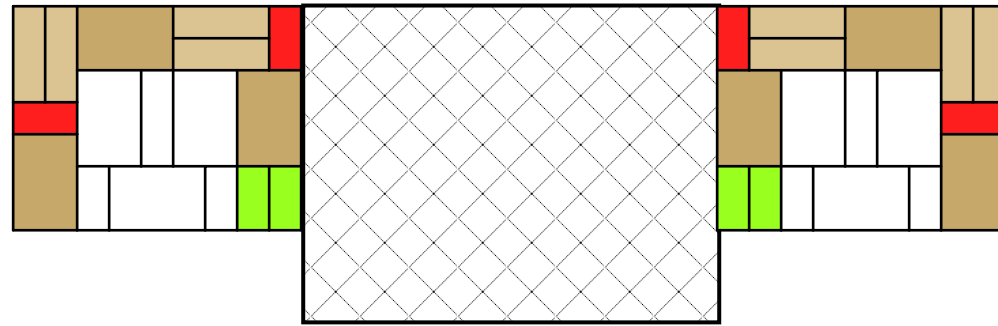
When constructing your project, be sure to keep all blocks level, square, and plumb. Use a four foot level and check often. Starting on a level foundation is key. When gluing blocks together, be sure not to use too much adhesive - this will cause the blocks to "swim." A small bead is ideal.



Back side of fireplace



Remember: Just use a small bead of glue on each block. You don't want your blocks to "swim" due to too much glue. If some glue oozes out, DO NOT TRY TO CLEAN IT. You will only make a huge sticky mess. Wait for it to cure. Then, break or cut it away.



**BUILD WITH
DAKOTA**

WB-3628

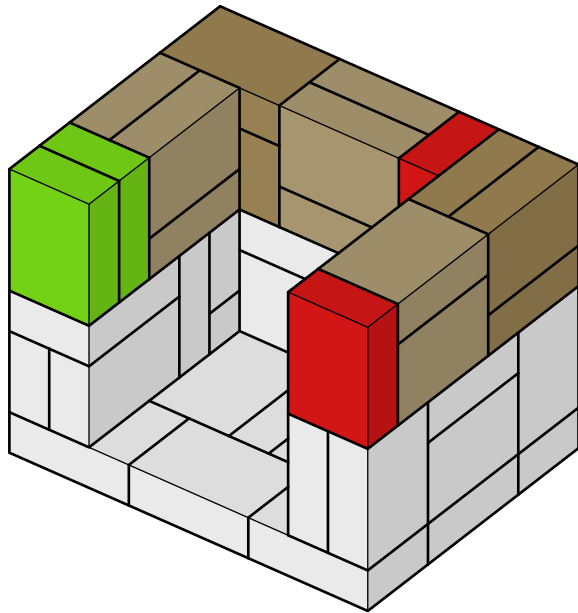
Wood Storage Boxes

REVISIONS

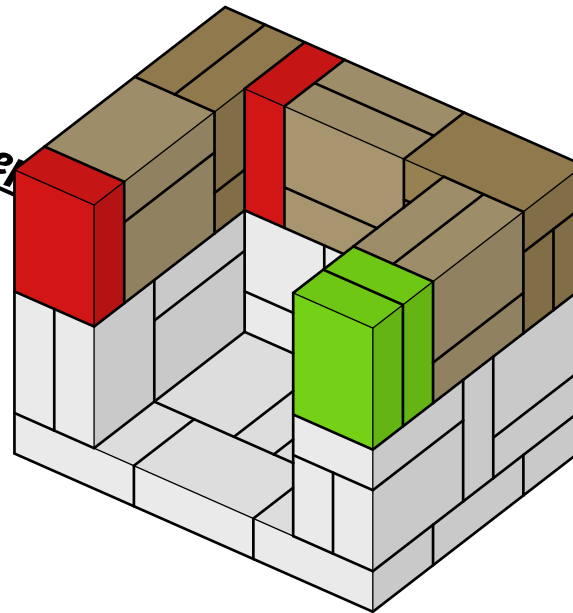
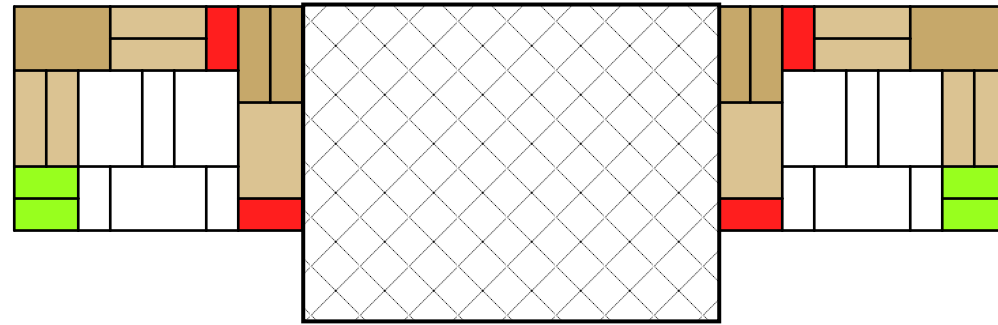
	MM/DD/YY	REMARKS
1	02/25/15	Simplified instructions using colored units. TP
2	06/04/15	2 SKU and QR update
3	--/--/--	...
4	--/--/--	...
5	--/--/--	...

Dakota Stone™

02



Back side of fire



Remember: Just use a small bead of glue on each block. You don't want your blocks to "swim" due to too much glue. If some glue oozes out, DO NOT TRY TO CLEAN IT. You will only make a huge sticky mess. Wait for it to cure. Then, break or cut it away.

When constructing your project, be sure to keep all blocks level, square, and plumb. Use a four foot level and check often. Starting on a level foundation is key. When gluing blocks together, be sure not to use too much adhesive - this will cause the blocks to "swim." A small bead is ideal.

Dakota Stone™

**BUILD WITH
DAKOTA**

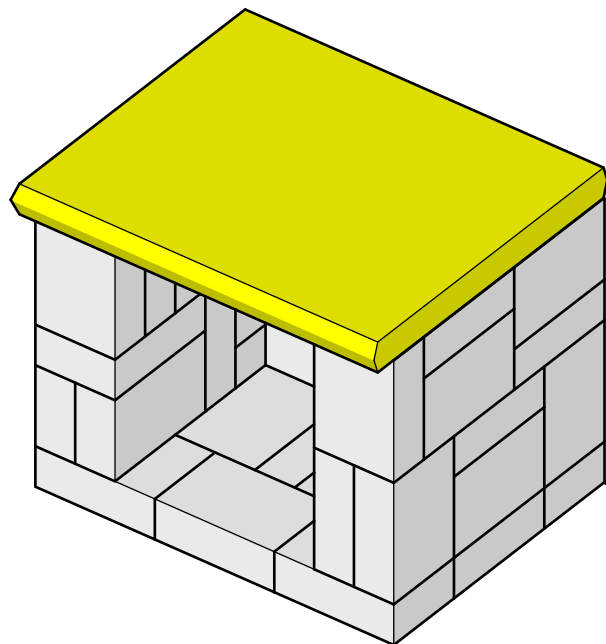
WB-3628

Wood Storage Boxes

REVISIONS

	MM/DD/YY	REMARKS
1	02/25/15	Simplified instructions using colored units. TP
2	06/04/15	2 SKU and QR update
3	--/--/--	...
4	--/--/--	...
5	--/--/--	...

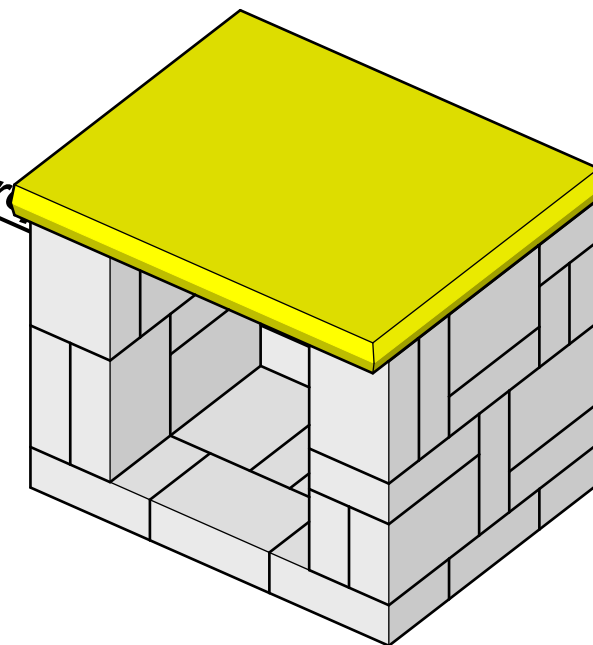
03



Back side of fireplace

Before attempting to place these slabs, be sure that the adhesive on your boxes has fully cured. That way, they won't move out of place as you slide the top slab into position.

Be sure to place the cut edge flush to your fireplace. Keep the back of the slab flush with the block to achieve an overhang in the front to better keep your wood dry. All the exposed edges should be rock-faced. Use coins, sand, or shims as needed to level the slabs.



These Slabs are very heavy! Be sure to have plenty of help on hand. Always bend at your knees and wear gloves when handling these slabs.

When constructing your project, be sure to keep all blocks level, square, and plumb. Use a four foot level and check often. Starting on a level foundation is key. When gluing blocks together, be sure not to use too much adhesive - this will cause the blocks to "swim." A small bead is ideal.

Dakota Stone™

**BUILD WITH
DAKOTA**

WB-3628

Wood Storage Boxes

REVISIONS

	MM/DD/YY	REMARKS
1	02/25/15	Simplified instructions using colored units. TP
2	06/04/15	2 SKU and QR update
3	--/--/--	...
4	--/--/--	...
5	--/--/--	...

04