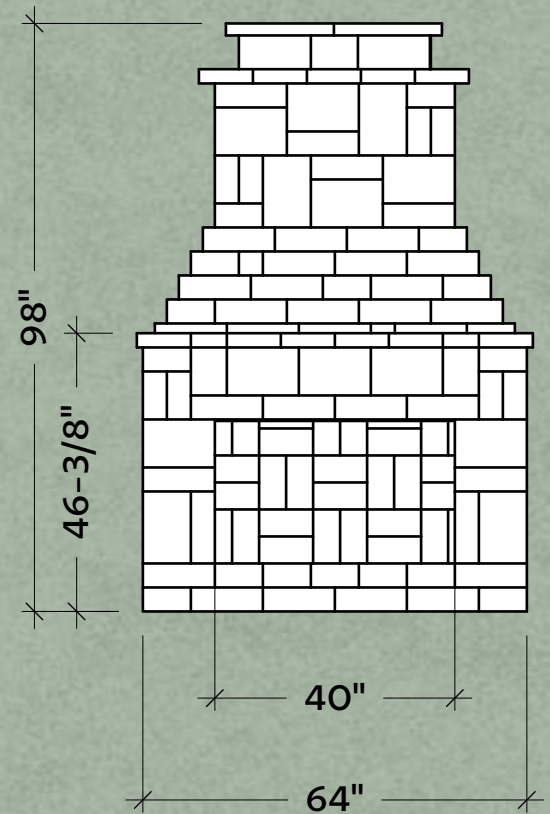
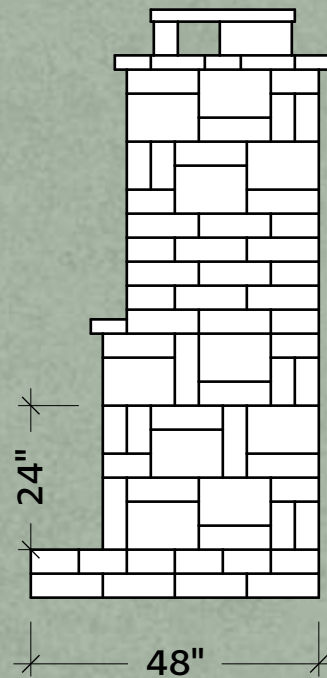
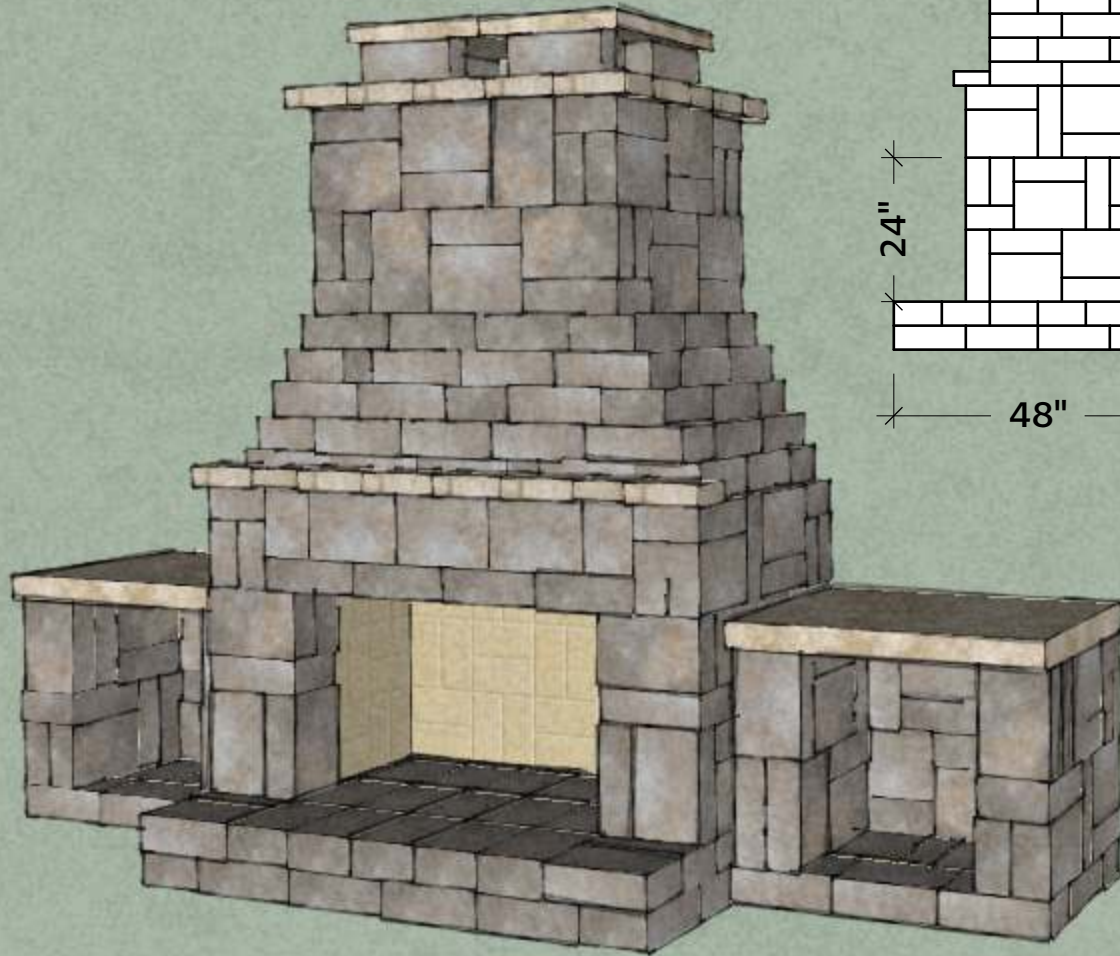


FPW-6440

Wide Fireplace

PRESTON

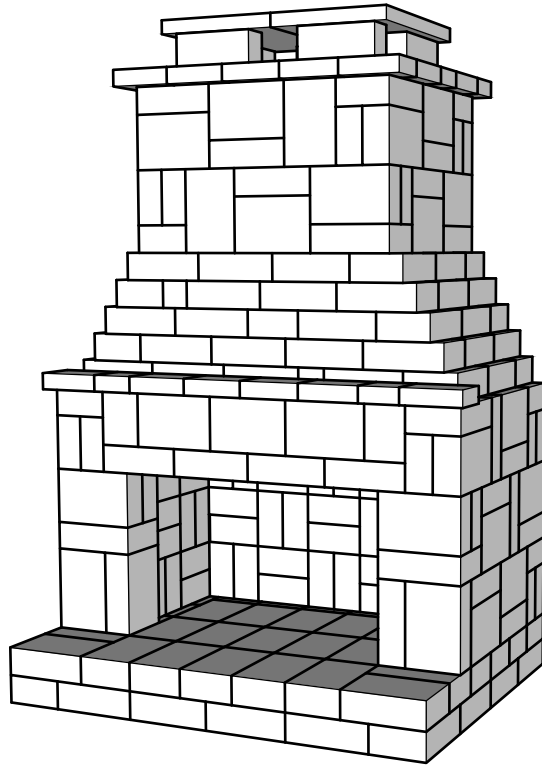


Dakota Stone™

Step by step instructions for assembling
FPW-6440 on a prepared surface/base.

**BUILD WITH
DAKOTA**

All sizes in this document are approximate.



This set of instructions assumes you are building on a level grade on a level foundation.

When constructing your project, be sure to keep all blocks level, square, and plumb. Use a four foot level and check often. Starting on a level foundation is key. When gluing blocks together, be sure not to use too much adhesive - this will cause the blocks to "swim." A small bead is ideal.

Materials Needed:

- 288 Dakota Stone™ (4x8x12)
- 24 6x9 Ledge Rock (8.8 sf)
- 2 Caps 24" x 18"
- 54 Firebrick (4.5 x 9)
- 1 46" Angle Iron
- 12+ Tubes Adhesive

Tools Needed:

- Dead Blow Hammer
- Caulk Gun
- 4 Foot Level
- Torpedo Level
- Square
- 2 ladders (6' min.)
- Masonry saw

Dakota Stone™

**BUILD WITH
DAKOTA**

FPW-6440

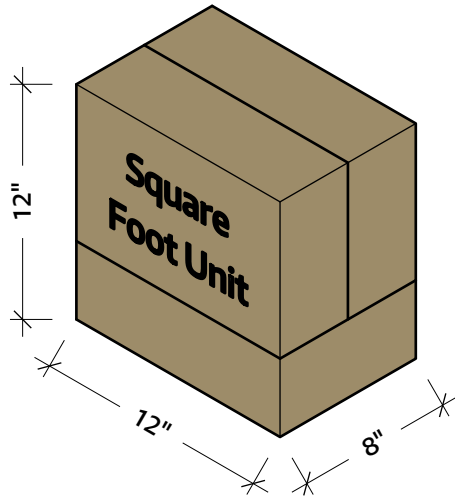
Wide Fireplace

REVISIONS

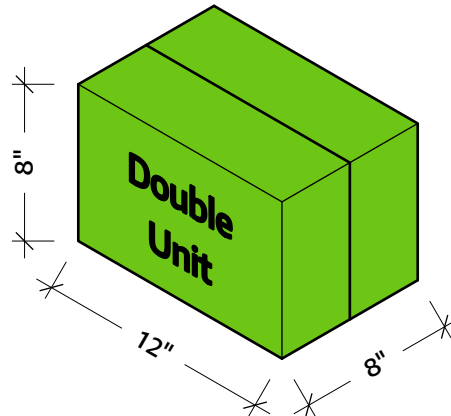
	MM/DD/YY	REMARKS
1	06/004/15	2 SKU and QR update
2	--/--/--	...
3	--/--/--	...
4	--/--/--	...
5	--/--/--	...

INFO

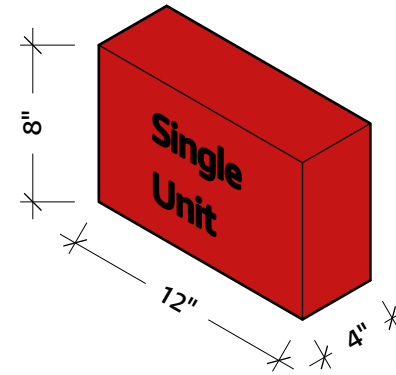
All sizes in this document are approximate.



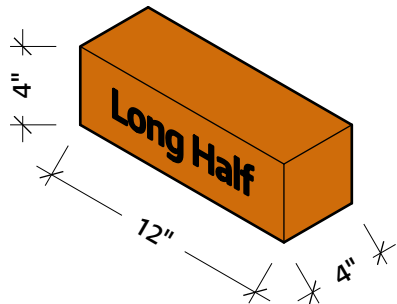
The "Square Foot Unit." consists of three block as shown. By rotating this unit (SFU) we are able to build quickly and easily while keeping bond lines broken up. These will always be shown in a tan color.



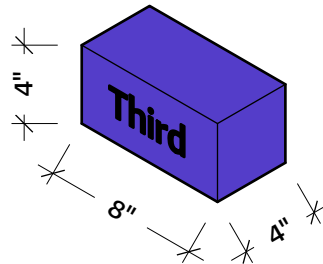
Sometimes SFUs are broken up or can't be used. The Double Unit is the next preferred unit. Double Units are grouped for strength and speed in construction. They are always represented in green.



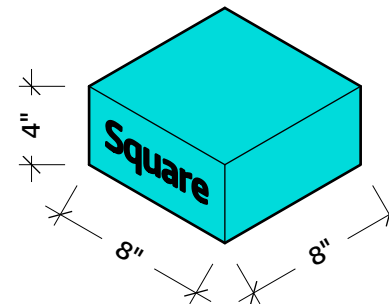
The Single Unit is the basis for all the construction, of course. When used in a single or non-standard configuration, you will see Dakota Stone™ depicted in red.



Long Halves are simply made by cutting a block along its center on the longest axis.



Cutting four inches off the short end of a Dakota Stone will get you a Third block (and a Square one).



Cutting four inches off the short end of a Dakota Stone will get you a Square block (and a Third one).

Unit Size Color Key

When constructing your project, be sure to keep all blocks level, square, and plumb. Use a four foot level and check often. Starting on a level foundation is key. When gluing blocks together, be sure not to use too much adhesive - this will cause the blocks to "swim." A small bead is ideal.

Dakota Stone™

**BUILD WITH
DAKOTA**

FPW-6440

Wide Fireplace

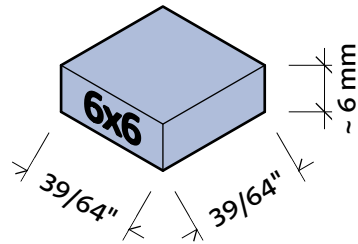
REVISIONS

	MM/DD/YY	REMARKS
1	06/004/15	2 SKU and QR update
2	---/---/---	...
3	---/---/---	...
4	---/---/---	...
5	---/---/---	...

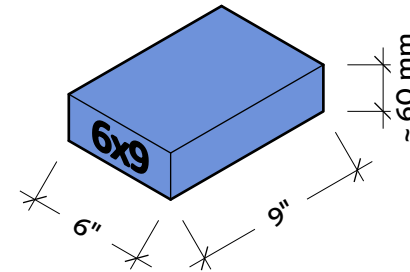
KEY1

All sizes in this document are approximate.

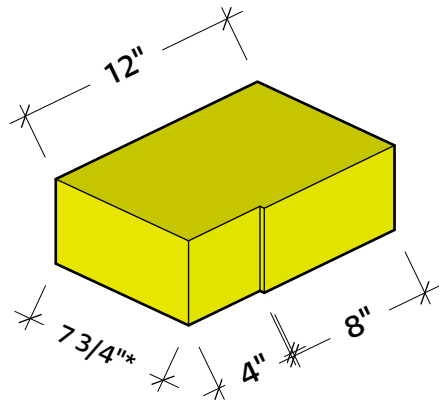
Unit Size Color Key



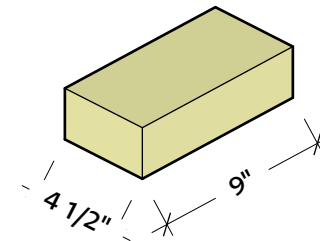
6" x 6" Ledge Rock paver.
Just cut a 6x9 to size. Always
shown in light blue.



6" x 9" Ledge Rock paver.
Great to use as a small cap. Always
shown in medium blue.



Lintel Block. You will need to cut
four (4) of these precisely. * The
depth of the cut should match the
thickness of your angle iron.



Fire brick. These hard refractory
brick are very dense. Use them to
line your firebox. You will need to
cut a few to fit.

When constructing your project, be sure to keep all blocks level, square, and plumb. Use a four foot level and check often. Starting on a level foundation is key. When gluing blocks together, be sure not to use too much adhesive - this will cause the blocks to "swim." A small bead is ideal.

Dakota Stone™

**BUILD WITH
DAKOTA**

FPW-6440

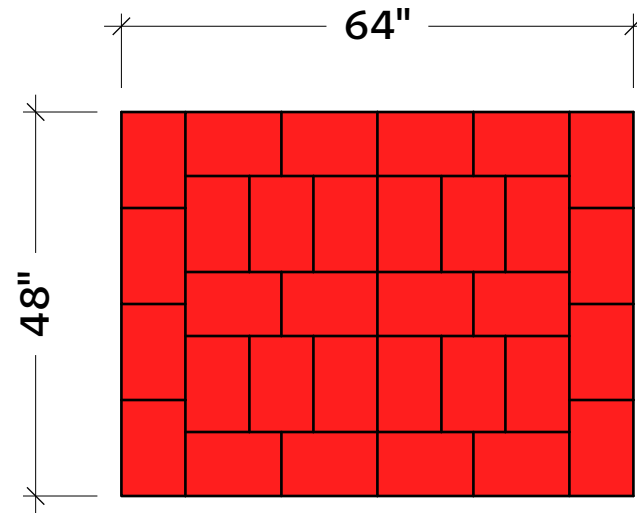
Wide Fireplace

REVISIONS

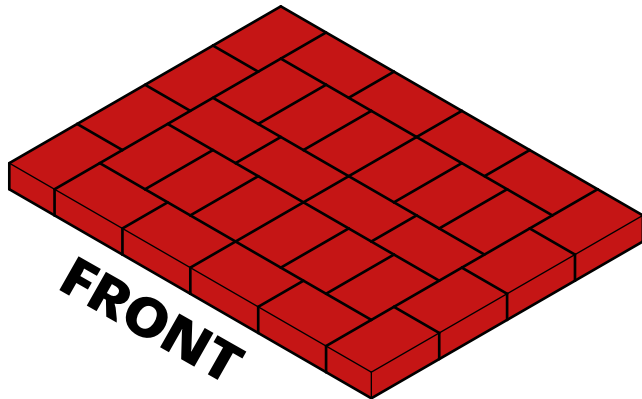
	MM/DD/YY	REMARKS
1	06/004/15	2 SKU and QR update
2	--/--/--	...
3	--/--/--	...
4	--/--/--	...
5	--/--/--	...

KEY2

This is your foundation block. One cannot over emphasize the importance of properly installing this layer. **Be sure to take the time to ensure it is "perfectly" square and level.** Any imperfections here will continue to show up over and over as you build this kit.



FRONT



When constructing your project, be sure to keep all blocks level, square, and plumb. Use a four foot level and check often. Starting on a level foundation is key. When gluing blocks together, be sure not to use too much adhesive - this will cause the blocks to "swim." A small bead is ideal.

Dakota Stone™

**BUILD WITH
DAKOTA**

FPW-6440

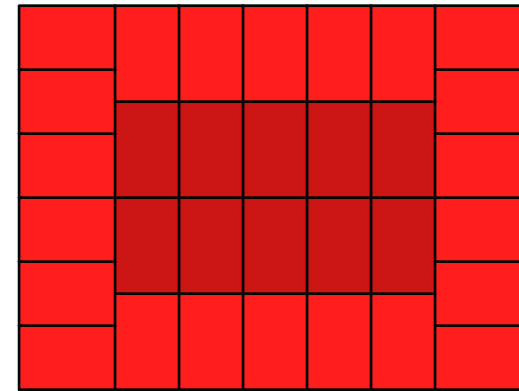
Wide Fireplace

REVISIONS

	MM/DD/YY	REMARKS
1	06/004/15	2 SKU and QR update
2	--/--/--	...
3	--/--/--	...
4	--/--/--	...
5	--/--/--	...

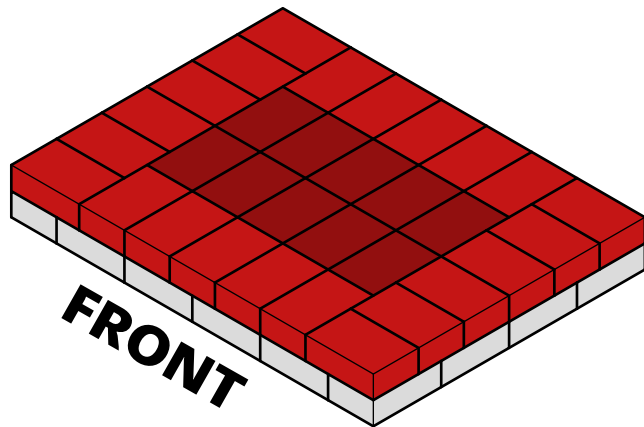
01

Consider not gluing these central block of the fire box floor (depicted by the darker shaded block). They will be much easier to flip over or replace if needed down the road.

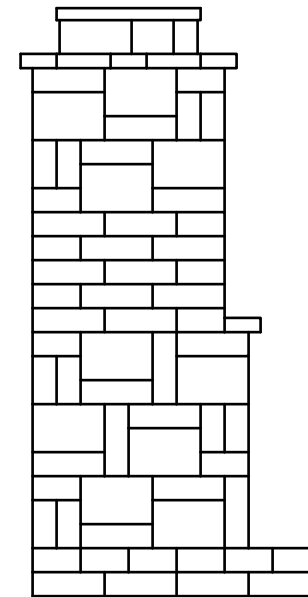


FRONT

When constructing your project, be sure to keep all blocks level, square, and plumb. Use a four foot level and check often. Starting on a level foundation is key. When gluing blocks together, be sure not to use too much adhesive - this will cause the blocks to "swim." A small bead is ideal.



The entire back of the fire-place is flush. There are no set-backs. Be sure to keep your fireplace plumb as you build. Use your 4' level and check often.



Dakota Stone™

**BUILD WITH
DAKOTA**

FPW-6440

Wide Fireplace

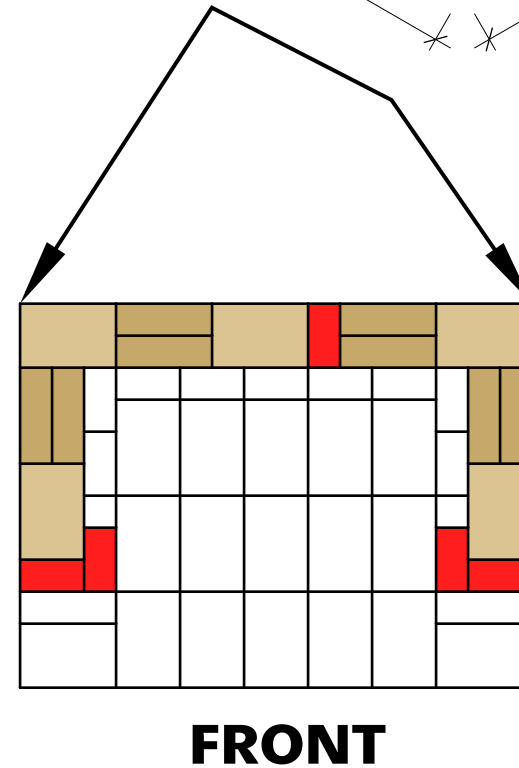
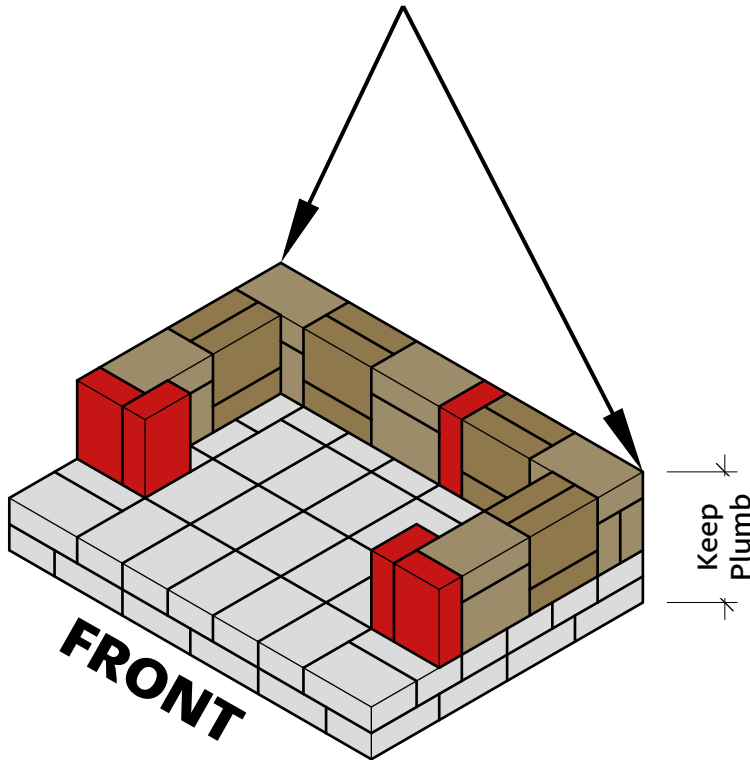
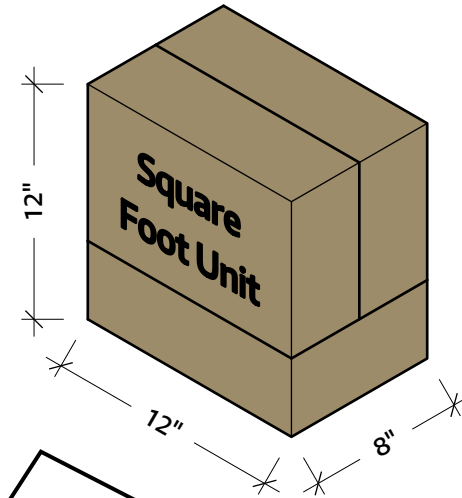
REVISIONS

	MM/DD/YY	REMARKS
1	06/004/15	2 SKU and QR update
2	--/--/--	...
3	--/--/--	...
4	--/--/--	...
5	--/--/--	...

02

The entire back of the fireplace is flush. There are no set-backs. This should aid in keeping your fireplace plumb as you build.

Any time you see a block with just the wide top showing, fret not, it is a Square Foot Unit (SFU). The unit is just turned where the that is the only block you see.



When constructing your project, be sure to keep all blocks level, square, and plumb. Use a four foot level and check often. Starting on a level foundation is key. When gluing blocks together, be sure not to use too much adhesive - this will cause the blocks to "swim." A small bead is ideal.

Dakota Stone™

**BUILD WITH
DAKOTA**

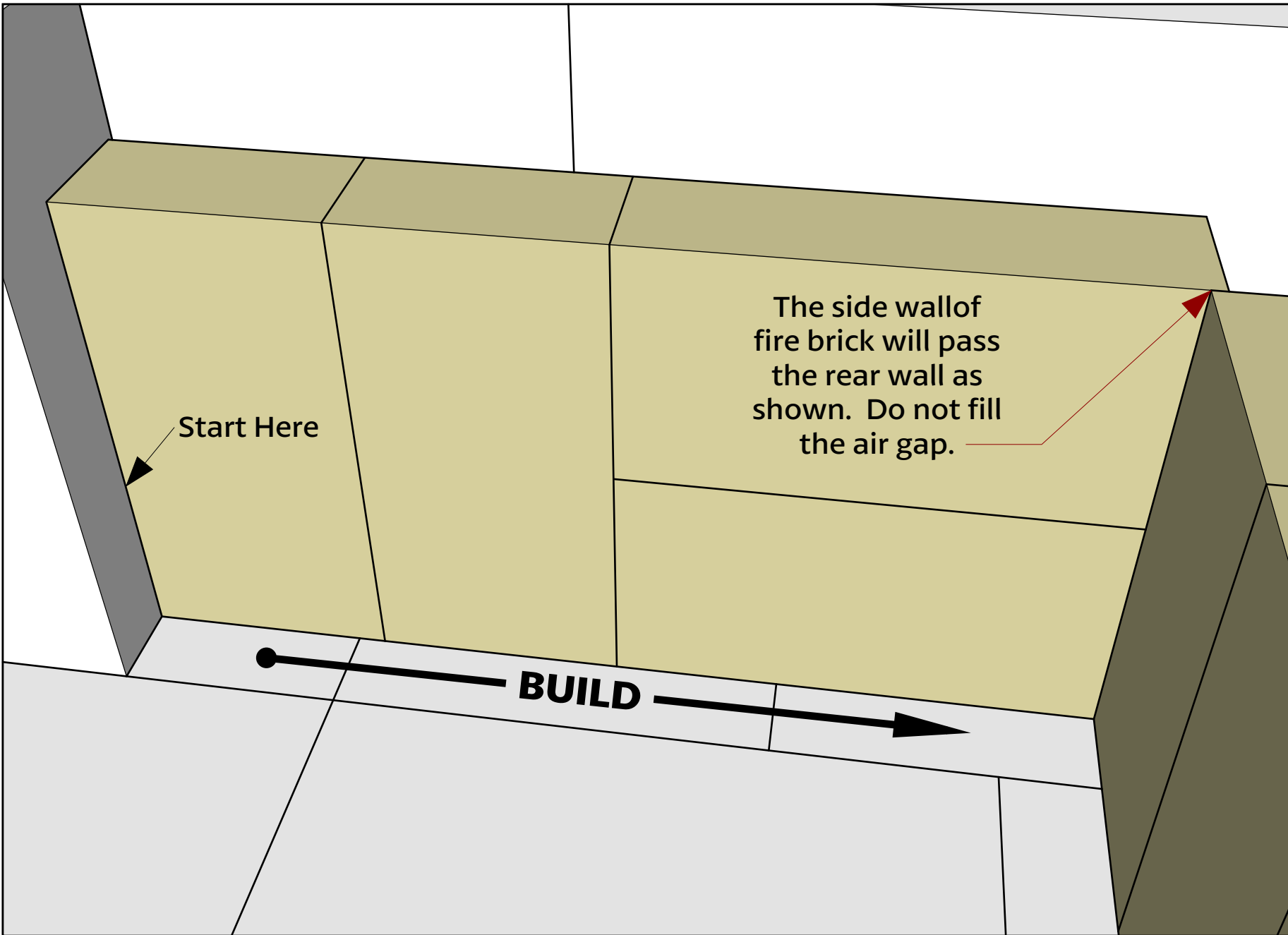
FPW-6440

Wide Fireplace

REVISIONS

	MM/DD/YY	REMARKS
1	06/004/15	2 SKU and QR update
2	--/--/--	...
3	--/--/--	...
4	--/--/--	...
5	--/--/--	...

03



When constructing your project, be sure to keep all blocks level, square, and plumb. Use a four foot level and check often. Starting on a level foundation is key. When gluing blocks together, be sure not to use too much adhesive - this will cause the blocks to "swim." A small bead is ideal.

Dakota Stone™

**BUILD WITH
DAKOTA**

FPW-6440

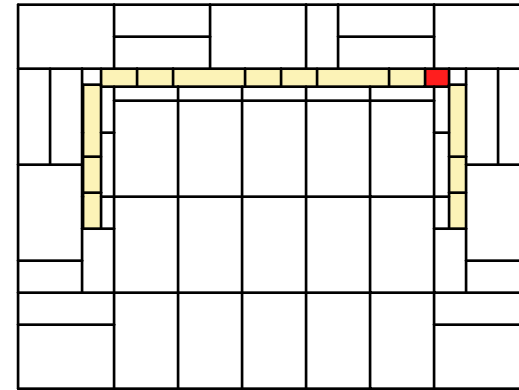
Wide Fireplace

REVISIONS

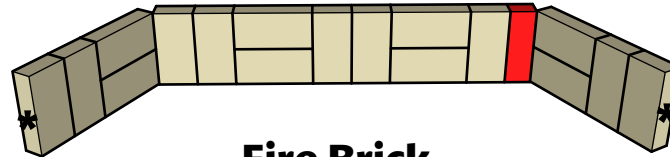
	MM/DD/YY	REMARKS
1	06/004/15	2 SKU and QR update
2	--/--/--	...
3	--/--/--	...
4	--/--/--	...
5	--/--/--	...

04

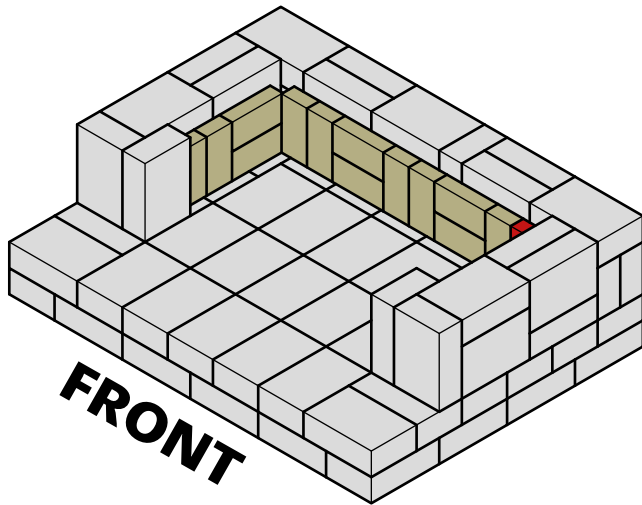
Always build the side walls of your fire box first. Start where the brick are denoted with an asterisk (*). Abut the fire brick to the front blocks and work toward the rear wall. Then lay the back wall. The side walls will pass the face of the back wall. Do not fill the air gap in the corner. Only glue the back of the fire brick to the block behind them. Do not glue the fire brick to each other. Follow this procedure for the entire fire box.



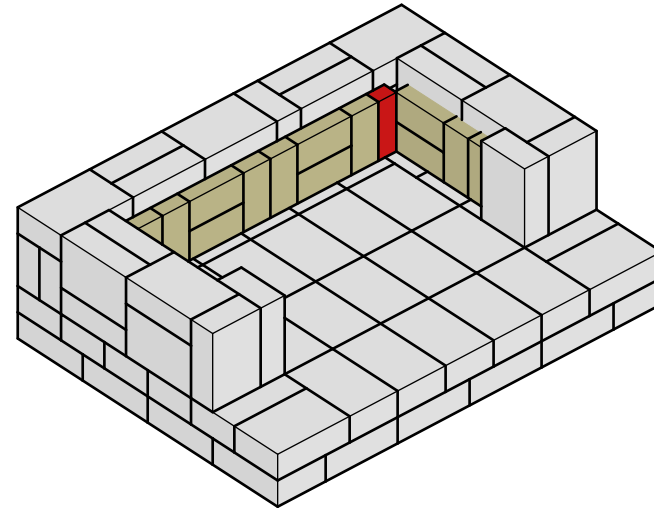
FRONT



Fire Brick Pattern



FRONT



When constructing your project, be sure to keep all blocks level, square, and plumb. Use a four foot level and check often. Starting on a level foundation is key. When gluing blocks together, be sure not to use too much adhesive - this will cause the blocks to "swim." A small bead is ideal.

Dakota Stone™

**BUILD WITH
DAKOTA**

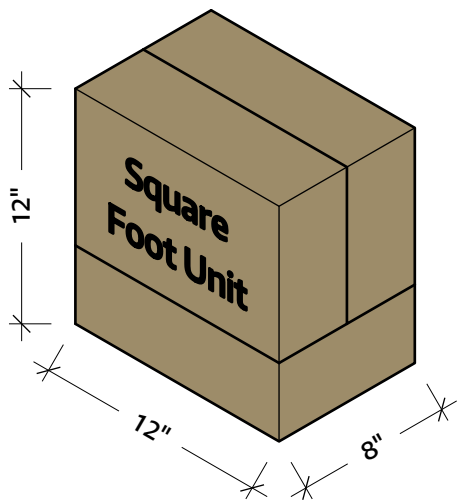
FPW-6440

Wide Fireplace

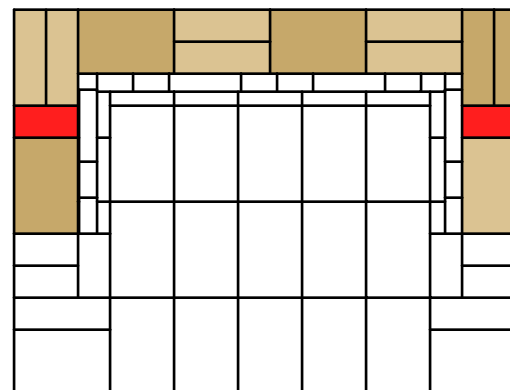
REVISIONS

	MM/DD/YY	REMARKS
1	06/004/15	2 SKU and QR update
2	--/--/--	...
3	--/--/--	...
4	--/--/--	...
5	--/--/--	...

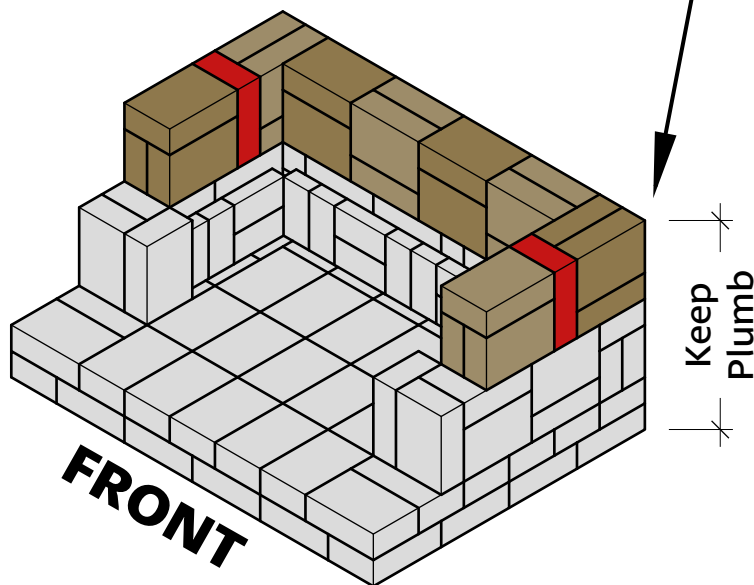
05



Always start building from the outside corners. This will help ensure you keep your structure plumb.



FRONT



The entire back of the fireplace is flush. There are no set-backs. This should aid in keeping your fireplace plumb as you build.

When constructing your project, be sure to keep all blocks level, square, and plumb. Use a four foot level and check often. Starting on a level foundation is key. When gluing blocks together, be sure not to use too much adhesive - this will cause the blocks to "swim." A small bead is ideal.

Dakota Stone™

**BUILD WITH
DAKOTA**

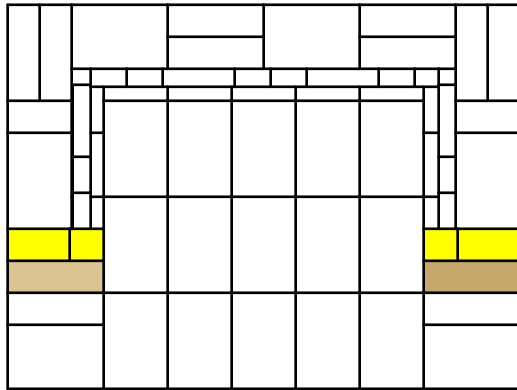
FPW-6440

Wide Fireplace

REVISIONS

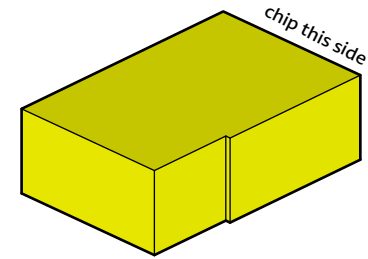
	MM/DD/YY	REMARKS
1	06/004/15	2 SKU and QR update
2	--/--/--	...
3	--/--/--	...
4	--/--/--	...
5	--/--/--	...

06

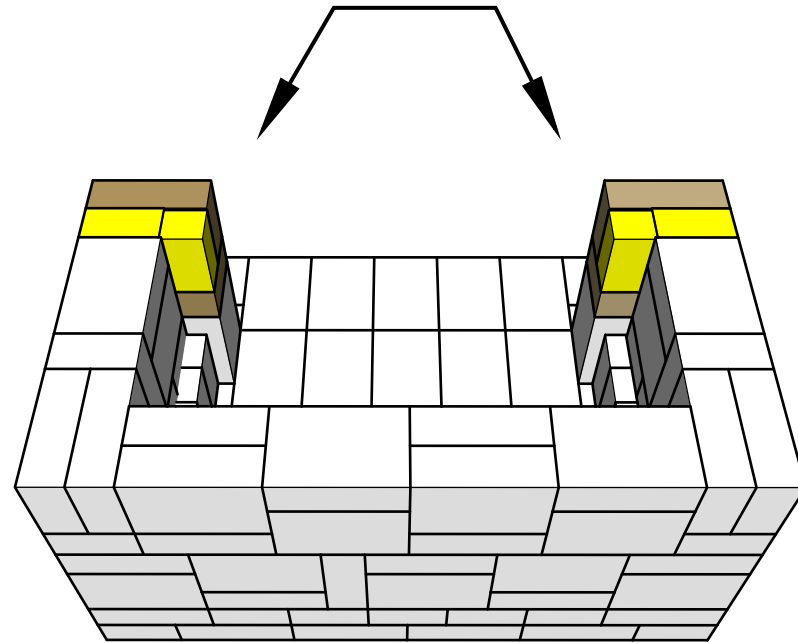
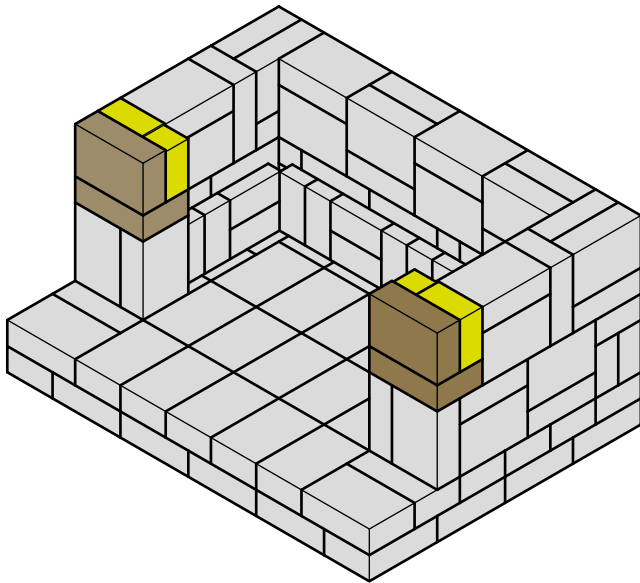


FRONT

Lintel Block with notches. Remember to chip the edges of the block with a hammer to give it an "aged" look. You only need to do this on the side opposite the notch. This will be the 8x4" side that is visible on the outside.



Lintel Block with notches. Be certain to face the notch cuts inward toward the fire box.



When constructing your project, be sure to keep all blocks level, square, and plumb. Use a four foot level and check often. Starting on a level foundation is key. When gluing blocks together, be sure not to use too much adhesive - this will cause the blocks to "swim." A small bead is ideal.

Dakota Stone™

**BUILD WITH
DAKOTA**

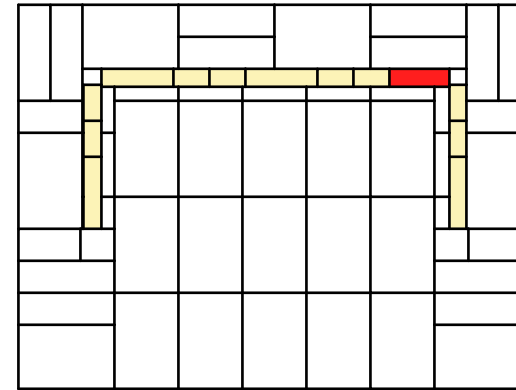
FPW-6440

Wide Fireplace

REVISIONS

	MM/DD/YY	REMARKS
1	06/004/15	2 SKU and QR update
2	---/---/---	...
3	---/---/---	...
4	---/---/---	...
5	---/---/---	...

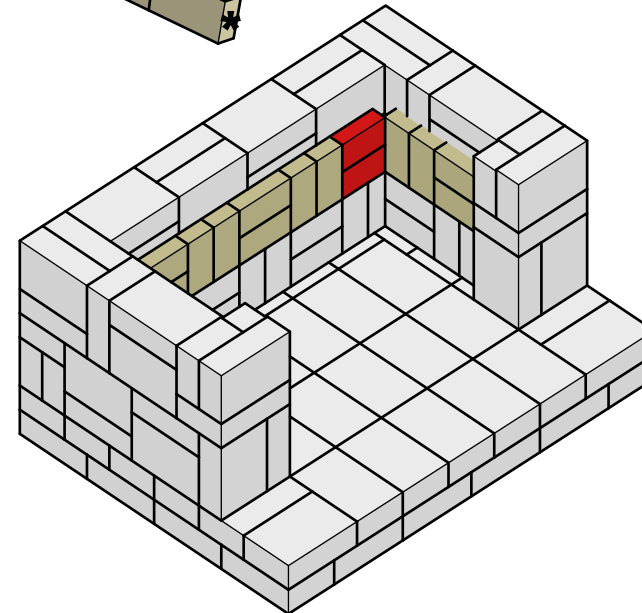
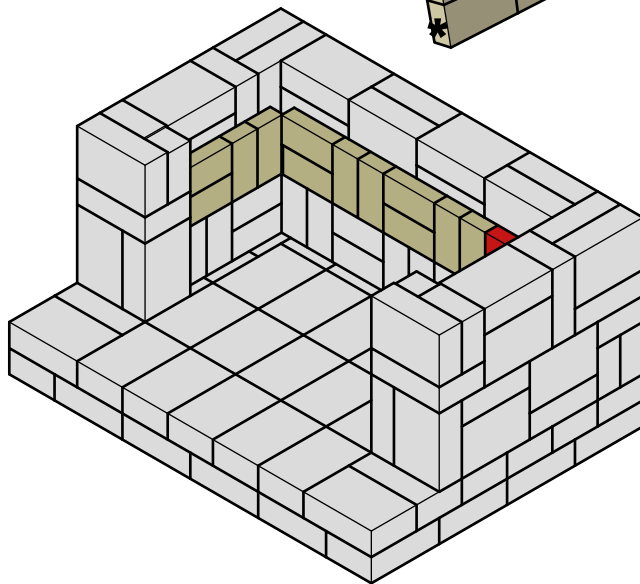
Always build the side walls of your fire box first. Start where the brick are denoted with an asterisk (*). Abut the fire brick to the front blocks and work toward the rear wall. Then lay the back wall. The side walls will pass the face of the back wall. Do not fill the air gap in the corner. Only glue the back of the fire brick to the block behind them. Do not glue the fire brick to each other. Follow this procedure for the entire fire box.



FRONT



**Fire Brick
Pattern**



When constructing your project, be sure to keep all blocks level, square, and plumb. Use a four foot level and check often. Starting on a level foundation is key. When gluing blocks together, be sure not to use too much adhesive - this will cause the blocks to "swim." A small bead is ideal.

Dakota Stone™

**BUILD WITH
DAKOTA**

FPW-6440

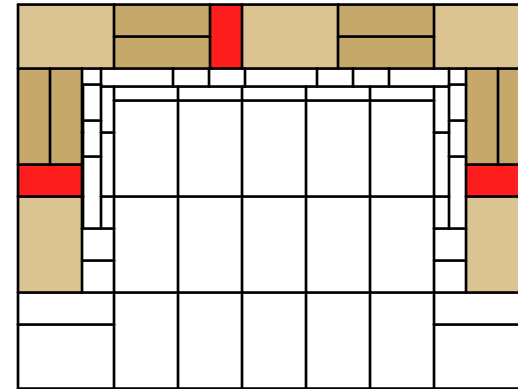
Wide Fireplace

REVISIONS

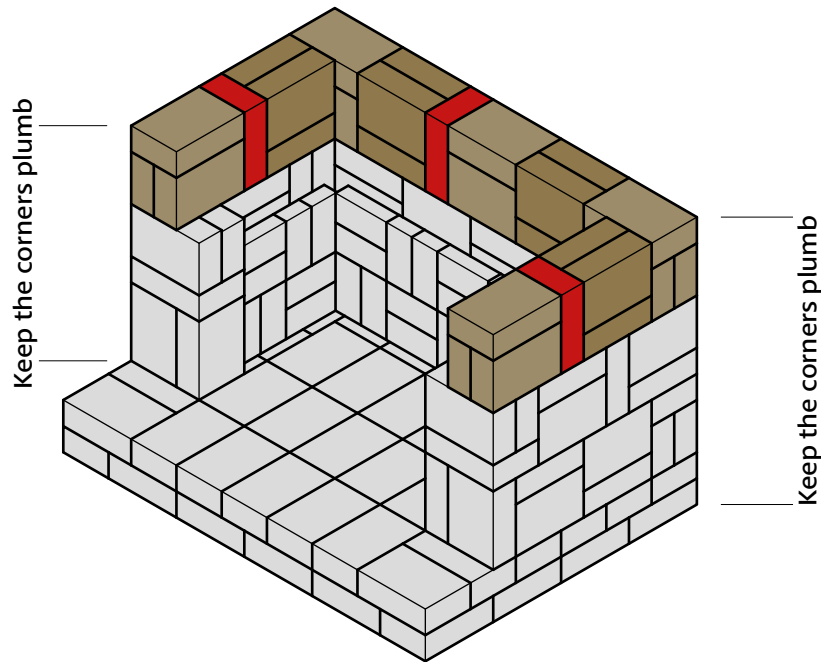
	MM/DD/YY	REMARKS
1	06/004/15	2 SKU and QR update
2	--/--/--	...
3	--/--/--	...
4	--/--/--	...
5	--/--/--	...

08

Always start building from the outside corners. This will help ensure you keep your structure plumb.



FRONT



The entire back of the fireplace is flush. There are no set-backs. This should aid in keeping your fireplace plumb as you build.

When constructing your project, be sure to keep all blocks level, square, and plumb. Use a four foot level and check often. Starting on a level foundation is key. When gluing blocks together, be sure not to use too much adhesive - this will cause the blocks to "swim." A small bead is ideal.

Dakota Stone™

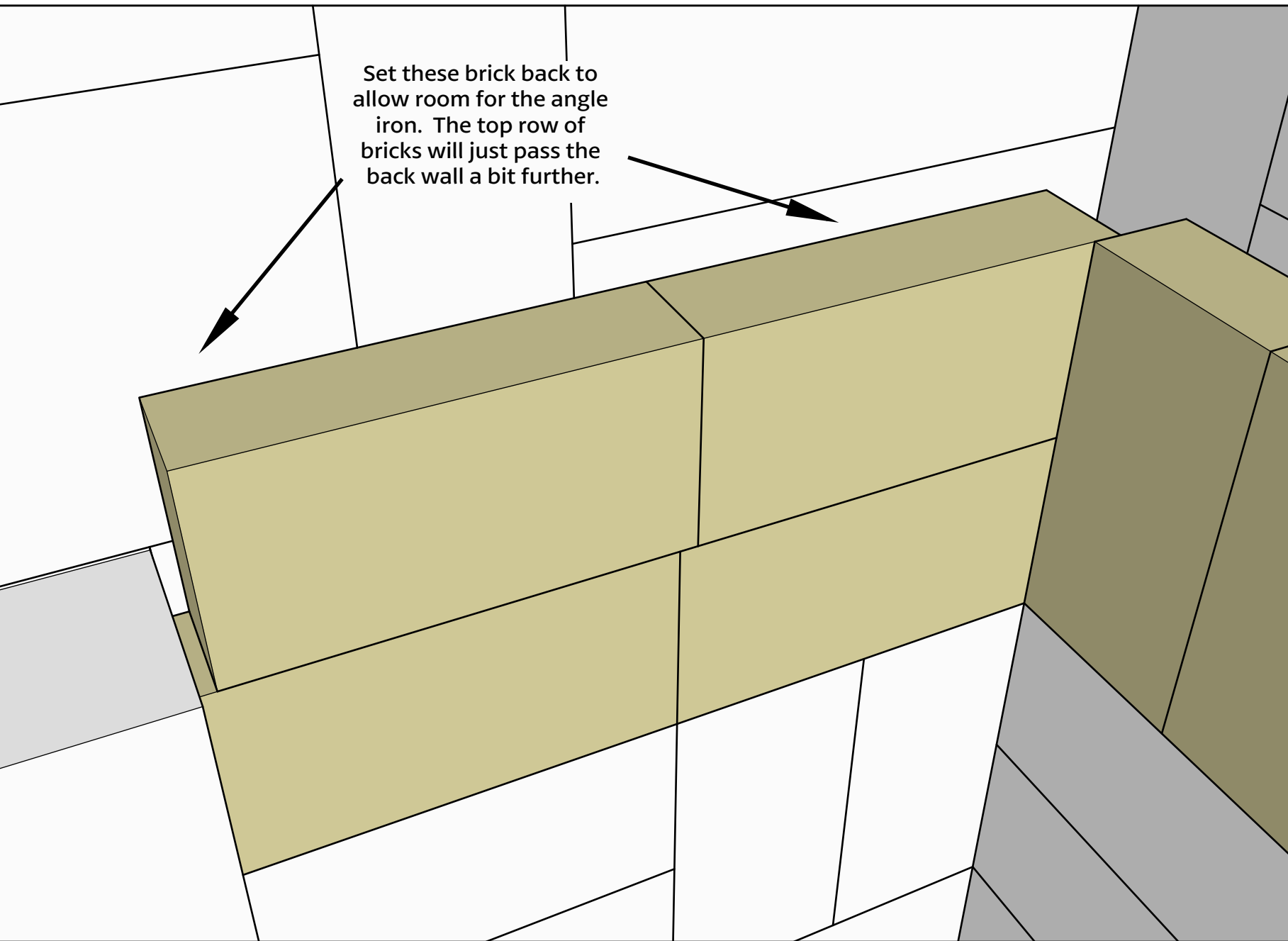
**BUILD WITH
DAKOTA**

FPW-6440

Wide Fireplace

REVISIONS

	MM/DD/YY	REMARKS
1	06/004/15	2 SKU and QR update
2	--/--/--	...
3	--/--/--	...
4	--/--/--	...
5	--/--/--	...



Set these brick back to allow room for the angle iron. The top row of bricks will just pass the back wall a bit further.

When constructing your project, be sure to keep all blocks level, square, and plumb. Use a four foot level and check often. Starting on a level foundation is key. When gluing blocks together, be sure not to use too much adhesive - this will cause the blocks to "swim." A small bead is ideal.

Dakota Stone™

BUILD WITH DAKOTA

FPW-6440

Wide Fireplace

REVISIONS		REMARKS
MM/DD/YY		
1	06/004/15	2 SKU and QR update
2	--/--/--	...
3	--/--/--	...
4	--/--/--	...
5	--/--/--	...

Set these brick back to allow room for the angle iron. The top row of bricks will just pass the back wall a bit further.

When constructing your project, be sure to keep all blocks level, square, and plumb. Use a four foot level and check often. Starting on a level foundation is key. When gluing blocks together, be sure not to use too much adhesive - this will cause the blocks to "swim." A small bead is ideal.

Dakota Stone™

**BUILD WITH
DAKOTA**

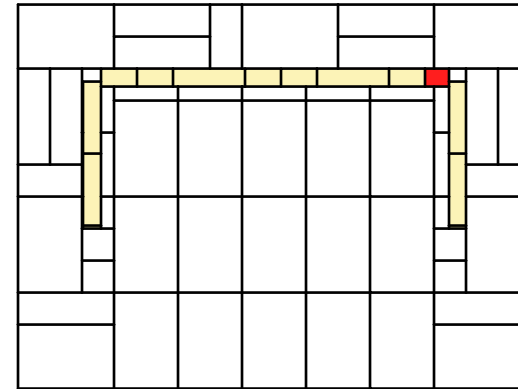
FPW-6440

Wide Fireplace

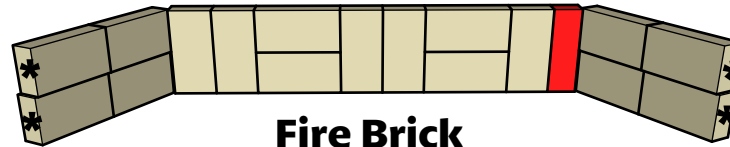
REVISIONS

	MM/DD/YY	REMARKS
1	06/004/15	2 SKU and QR update
2	--/--/--	...
3	--/--/--	...
4	--/--/--	...
5	--/--/--	...

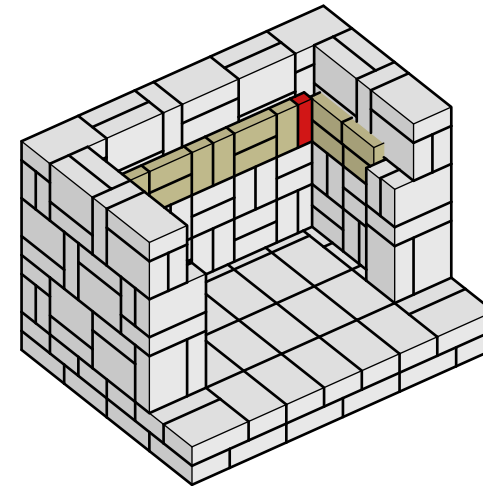
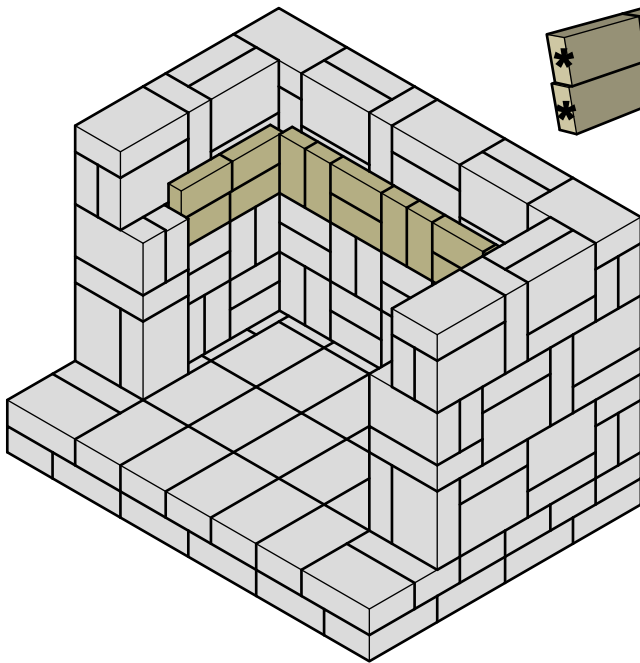
Always build the side walls of your fire box first. Start where the brick are denoted with an asterisk (*). Abut the fire brick to the front blocks and work toward the rear wall. Then lay the back wall. The side walls will pass the face of the back wall. Do not fill the air gap in the corner. Only glue the back of the fire brick to the block behind them. Do not glue the fire brick to each other. Follow this procedure for the entire fire box.



FRONT



Fire Brick Pattern



When constructing your project, be sure to keep all blocks level, square, and plumb. Use a four foot level and check often. Starting on a level foundation is key. When gluing blocks together, be sure not to use too much adhesive - this will cause the blocks to "swim." A small bead is ideal.

Dakota Stone™

**BUILD WITH
DAKOTA**

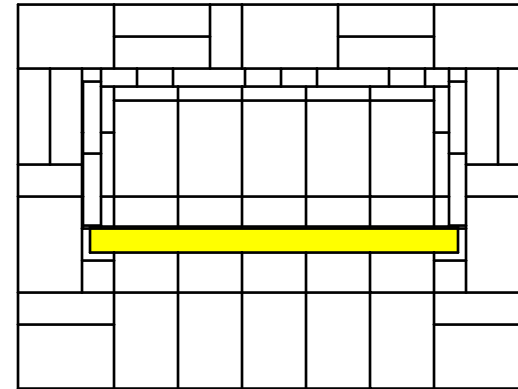
FPW-6440

Wide Fireplace

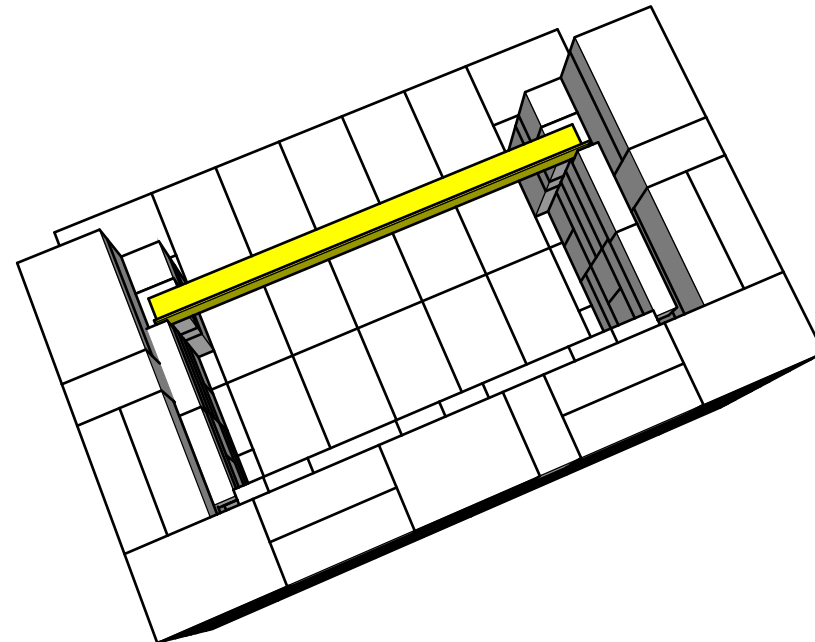
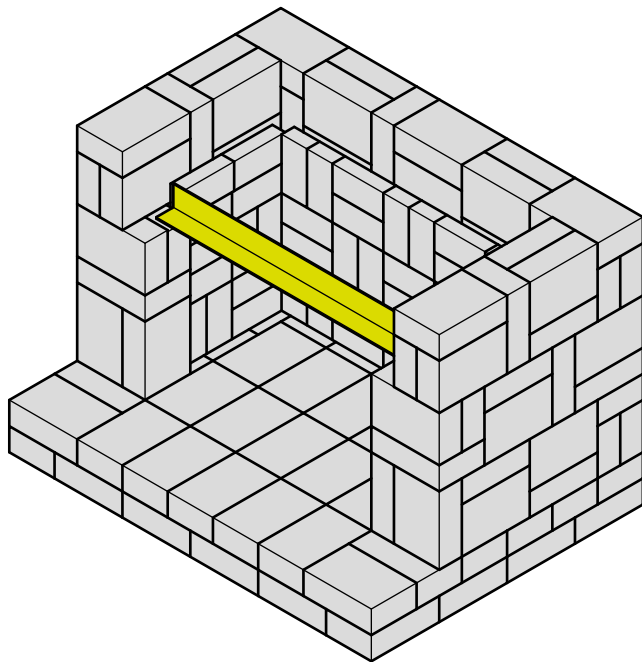
REVISIONS

	MM/DD/YY	REMARKS
1	06/004/15	2 SKU and QR update
2	--/--/--	...
3	--/--/--	...
4	--/--/--	...
5	--/--/--	...

Place the angle iron such that the top of the angle leg is flush with the top of the lintel blocks. You may need to use coins as shims or add sand under the angle iron to make it flush. Be sure to roughly center the iron to the fire box opening. There will be extra room to allow for the angle iron to expand.



FRONT



When constructing your project, be sure to keep all blocks level, square, and plumb. Use a four foot level and check often. Starting on a level foundation is key. When gluing blocks together, be sure not to use too much adhesive - this will cause the blocks to "swim." A small bead is ideal.

Dakota Stone™

**BUILD WITH
DAKOTA**

FPW-6440

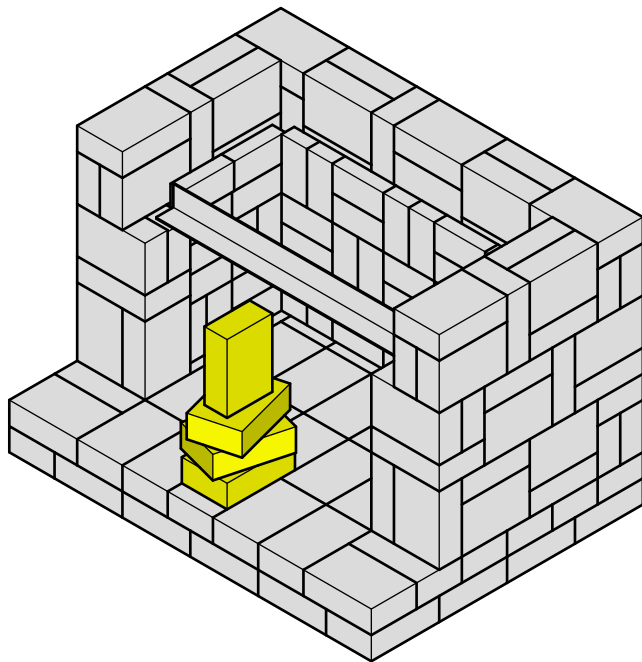
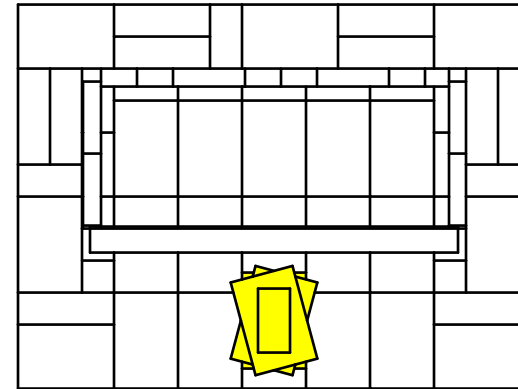
Wide Fireplace

REVISIONS

	MM/DD/YY	REMARKS
1	06/004/15	2 SKU and QR update
2	--/--/--	...
3	--/--/--	...
4	--/--/--	...
5	--/--/--	...

You will need to set up TEMPORARY support blocks before proceeding to the next step.

DO NOT GLUE THESE SUPPORT BLOCKS!



When constructing your project, be sure to keep all blocks level, square, and plumb. Use a four foot level and check often. Starting on a level foundation is key. When gluing blocks together, be sure not to use too much adhesive - this will cause the blocks to "swim." A small bead is ideal.

Dakota Stone™

**BUILD WITH
DAKOTA**

FPW-6440

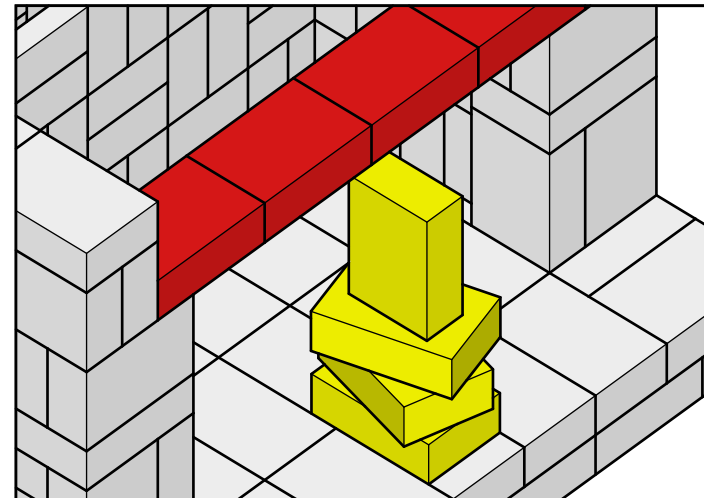
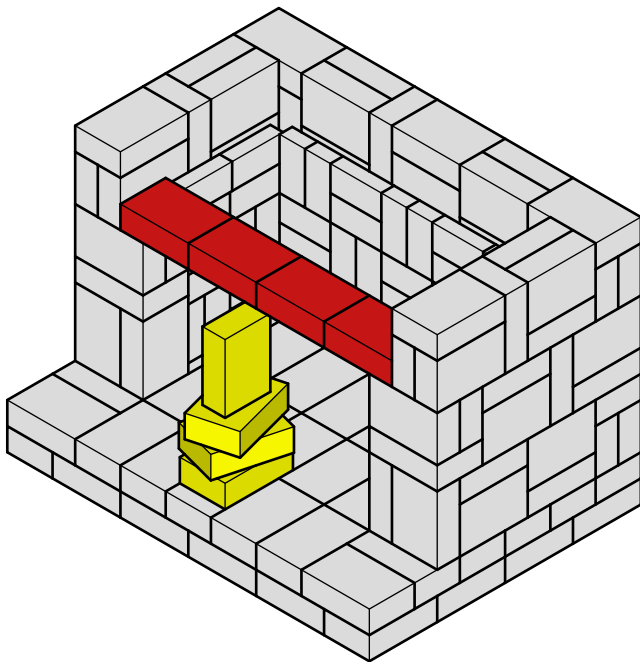
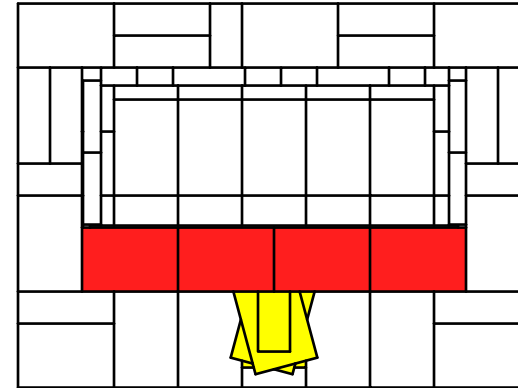
Wide Fireplace

REVISIONS

	MM/DD/YY	REMARKS
1	06/004/15	2 SKU and QR update
2	--/--/--	...
3	--/--/--	...
4	--/--/--	...
5	--/--/--	...

Be sure to just catch the corner of the support block. It will be easier to remove later.

DO NOT GLUE THESE SUPPORT BLOCKS!



Be sure to just catch the edge of the support block. It will be easier to remove later.

When constructing your project, be sure to keep all blocks level, square, and plumb. Use a four foot level and check often. Starting on a level foundation is key. When gluing blocks together, be sure not to use too much adhesive - this will cause the blocks to "swim." A small bead is ideal.

Dakota Stone™

**BUILD WITH
DAKOTA**

FPW-6440

Wide Fireplace

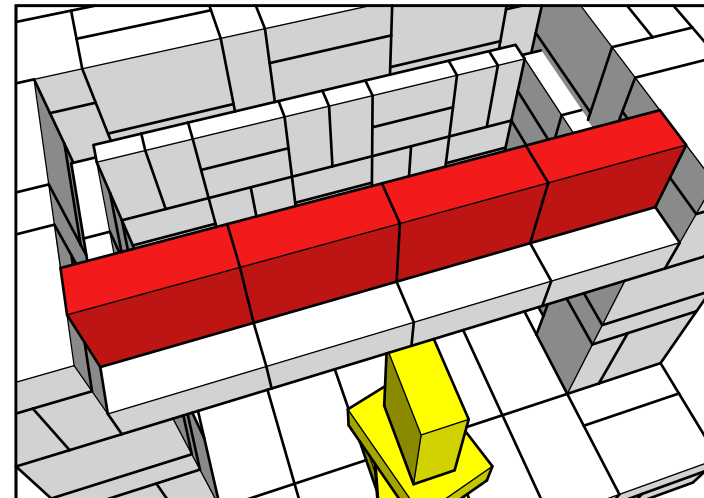
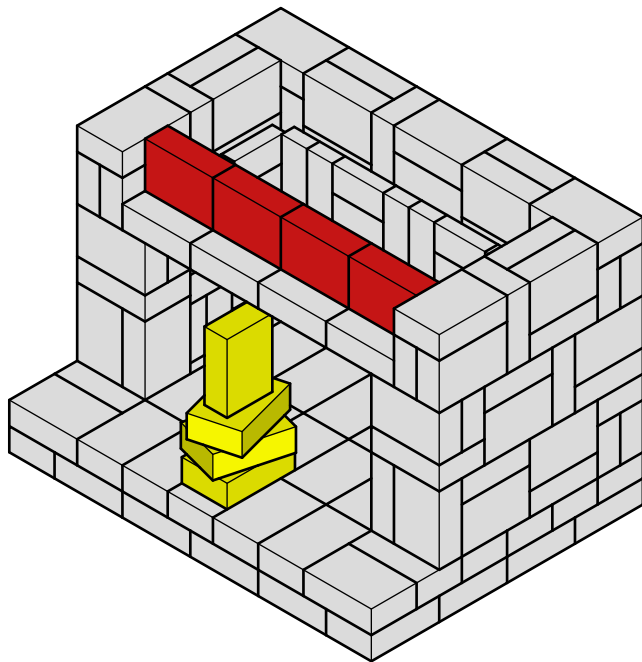
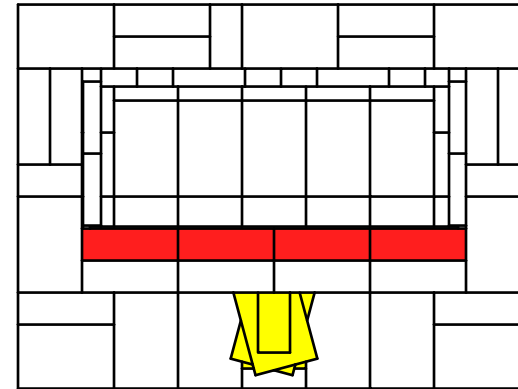
REVISIONS

	MM/DD/YY	REMARKS
1	06/004/15	2 SKU and QR update
2	--/--/--	...
3	--/--/--	...
4	--/--/--	...
5	--/--/--	...

15

Be sure to just catch the corner of the support block. It will be easier to remove later.

DO NOT GLUE THESE SUPPORT BLOCKS!



Place the blocks flush to the back side of the blocks beneath.

When constructing your project, be sure to keep all blocks level, square, and plumb. Use a four foot level and check often. Starting on a level foundation is key. When gluing blocks together, be sure not to use too much adhesive - this will cause the blocks to "swim." A small bead is ideal.

Dakota Stone™

**BUILD WITH
DAKOTA**

FPW-6440

Wide Fireplace

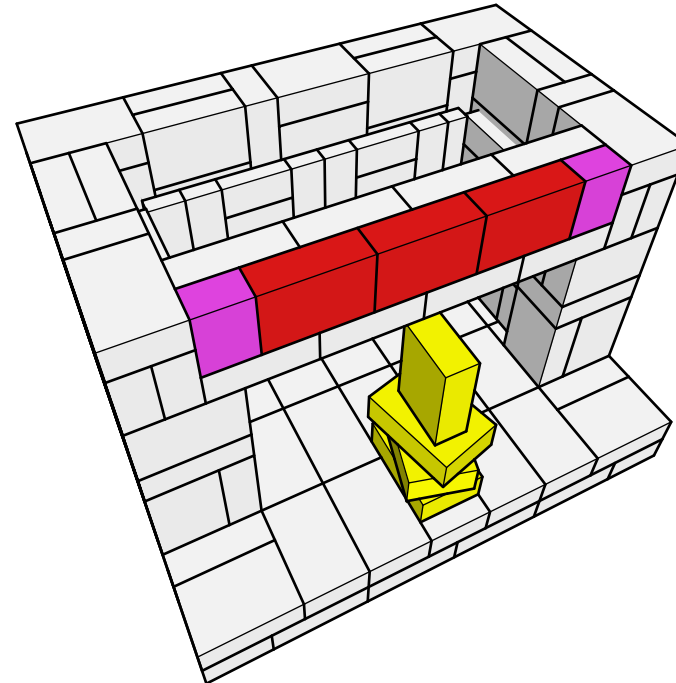
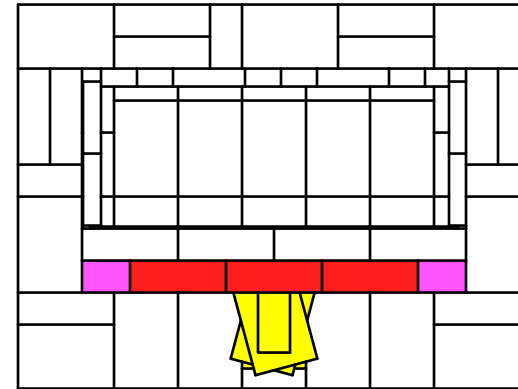
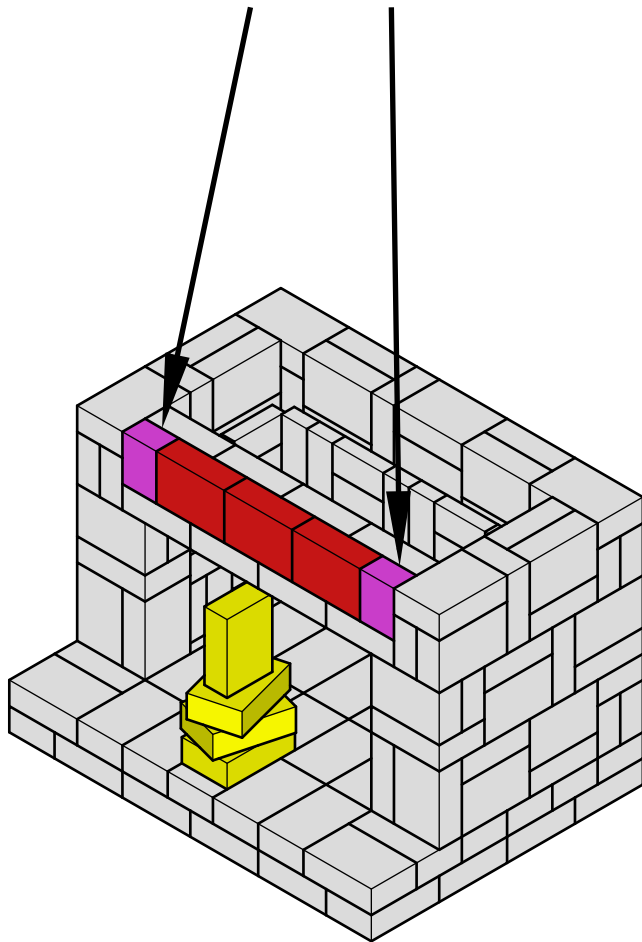
REVISIONS

	MM/DD/YY	REMARKS
1	06/004/15	2 SKU and QR update
2	---/---/---	...
3	---/---/---	...
4	---/---/---	...
5	---/---/---	...

16

6x8x4 Half Block

Just cut a block in half. Note, they are not the square block. These are true half block. Be sure you "age" the cuts with a hammer.



When constructing your project, be sure to keep all blocks level, square, and plumb. Use a four foot level and check often. Starting on a level foundation is key. When gluing blocks together, be sure not to use too much adhesive - this will cause the blocks to "swim." A small bead is ideal.

Dakota Stone™

**BUILD WITH
DAKOTA**

FPW-6440

Wide Fireplace

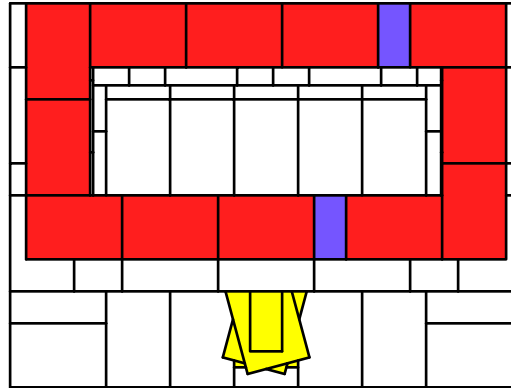
REVISIONS

	MM/DD/YY	REMARKS
1	06/004/15	2 SKU and QR update
2	---/---/---	...
3	---/---/---	...
4	---/---/---	...
5	---/---/---	...

✱ These block tend to want to rock back into the opening. Stack block to hold them into place until you place the next course.

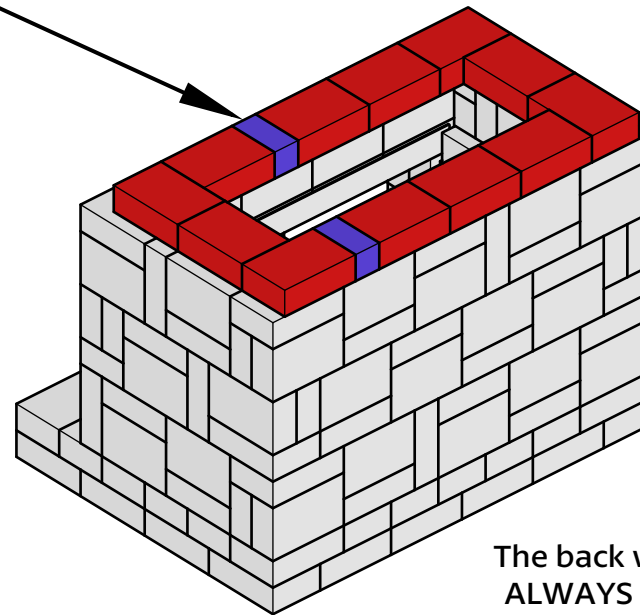
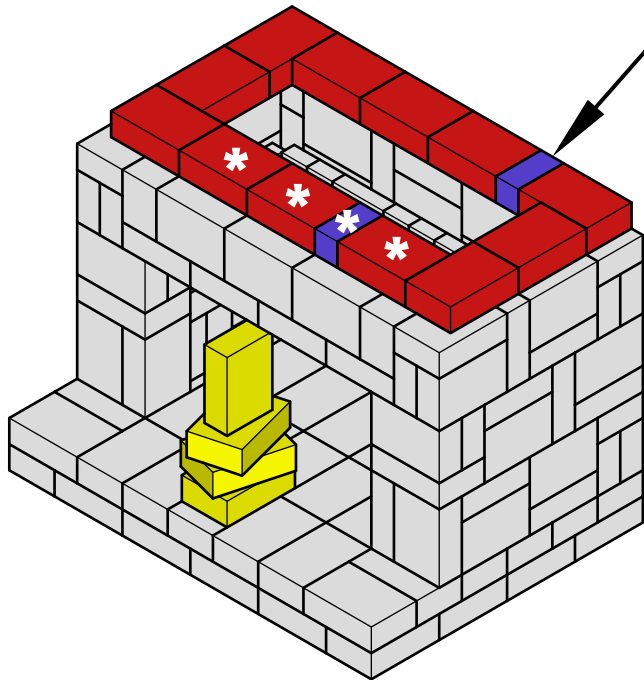
Now is a good time to take a break (lunch).

This will allow the glue to set-up.



Keep the back wall of the fireplace flush. Rack the block in approximately 2" from each side.

4x4x8 Third Block



The back wall is ALWAYS flush.

When constructing your project, be sure to keep all blocks level, square, and plumb. Use a four foot level and check often. Starting on a level foundation is key. When gluing blocks together, be sure not to use too much adhesive - this will cause the blocks to "swim." A small bead is ideal.

Dakota Stone™

BUILD WITH DAKOTA

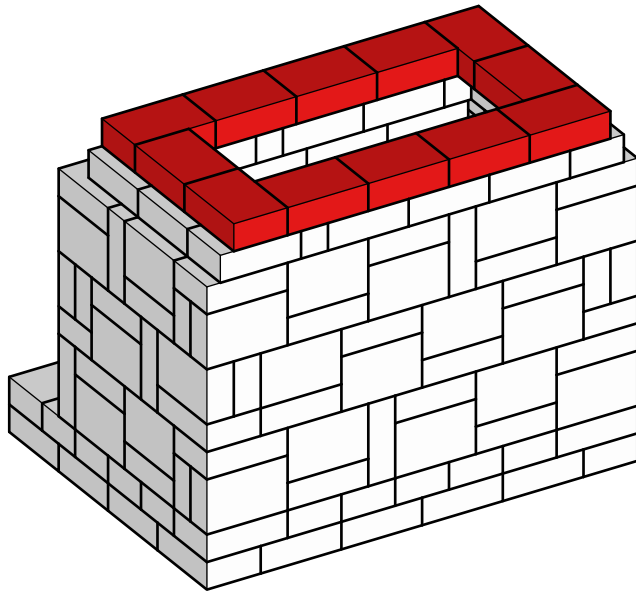
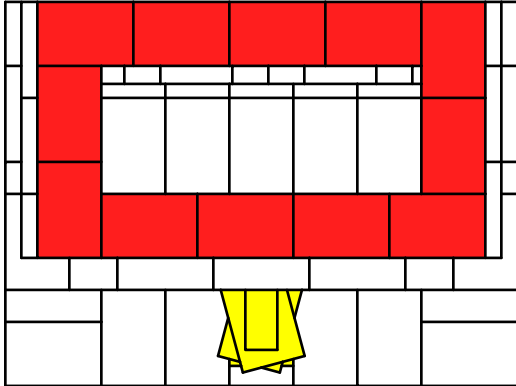
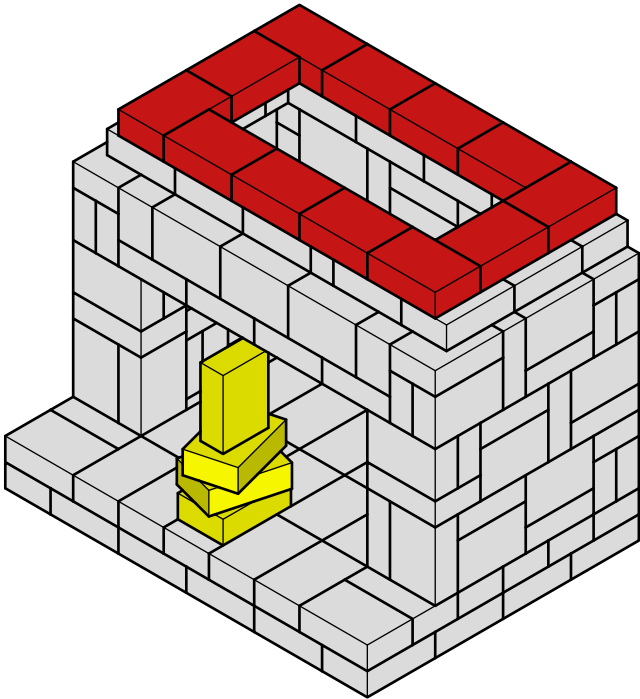
FPW-6440

Wide Fireplace

REVISIONS

	MM/DD/YY	REMARKS
1	06/004/15	2 SKU and QR update
2	--/--/--	...
3	--/--/--	...
4	--/--/--	...
5	--/--/--	...

Keep the back wall of the fireplace flush. Rack the block in approximately 2" from each side.



When constructing your project, be sure to keep all blocks level, square, and plumb. Use a four foot level and check often. Starting on a level foundation is key. When gluing blocks together, be sure not to use too much adhesive - this will cause the blocks to "swim." A small bead is ideal.

Dakota Stone™

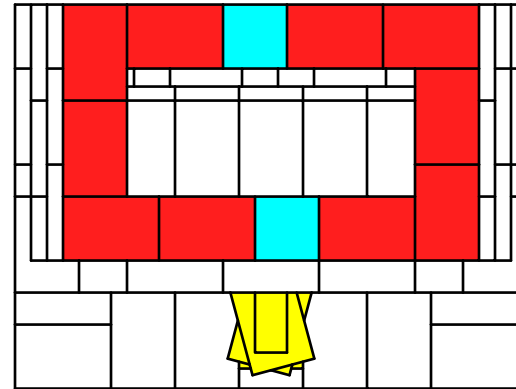
**BUILD WITH
DAKOTA**

FPW-6440

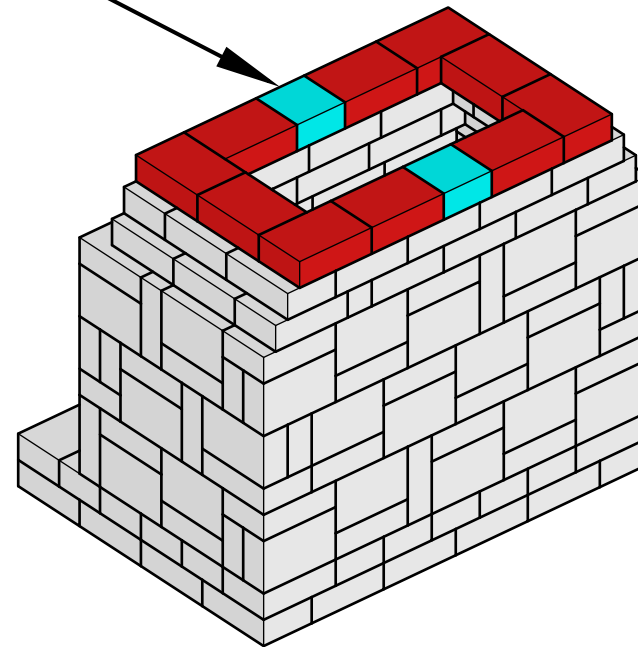
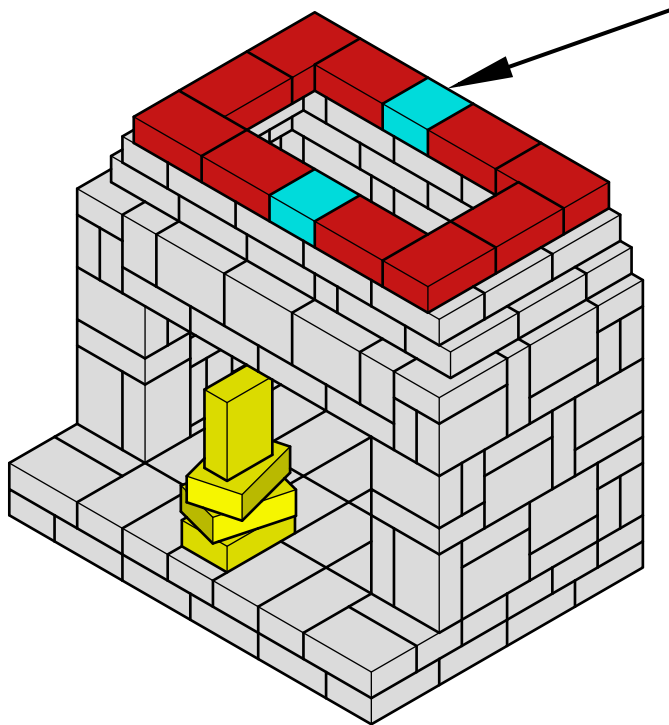
Wide Fireplace

REVISIONS		REMARKS
MM/DD/YY		
1	06/004/15	2 SKU and QR update
2	--/--/--	...
3	--/--/--	...
4	--/--/--	...
5	--/--/--	...

Keep the back wall of the fireplace flush. Rack the block in approximately 2" from each side.



8x8x4 Square Block



When constructing your project, be sure to keep all blocks level, square, and plumb. Use a four foot level and check often. Starting on a level foundation is key. When gluing blocks together, be sure not to use too much adhesive - this will cause the blocks to "swim." A small bead is ideal.

Dakota Stone™

**BUILD WITH
DAKOTA**

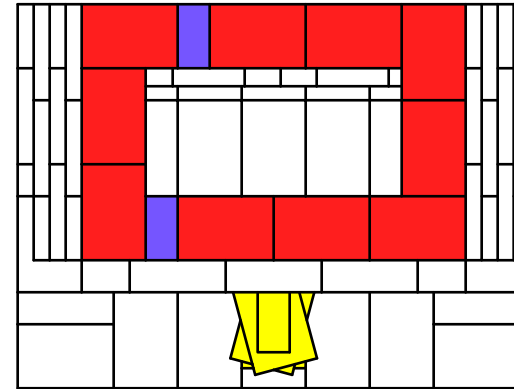
FPW-6440

Wide Fireplace

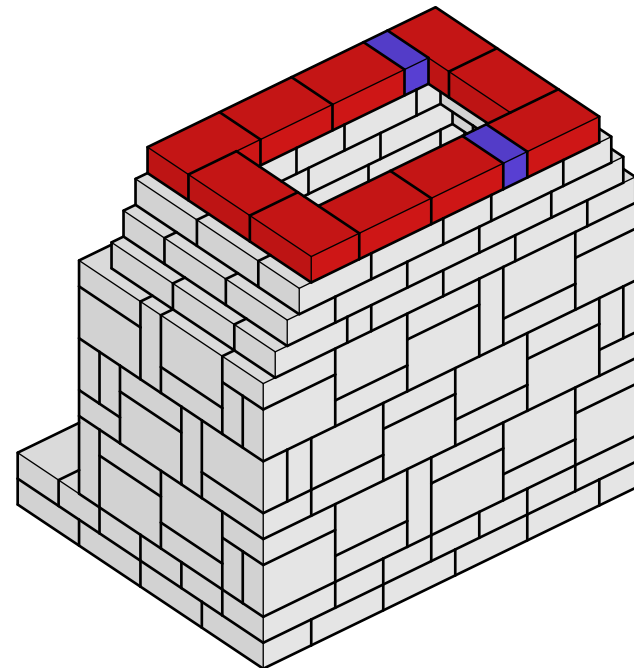
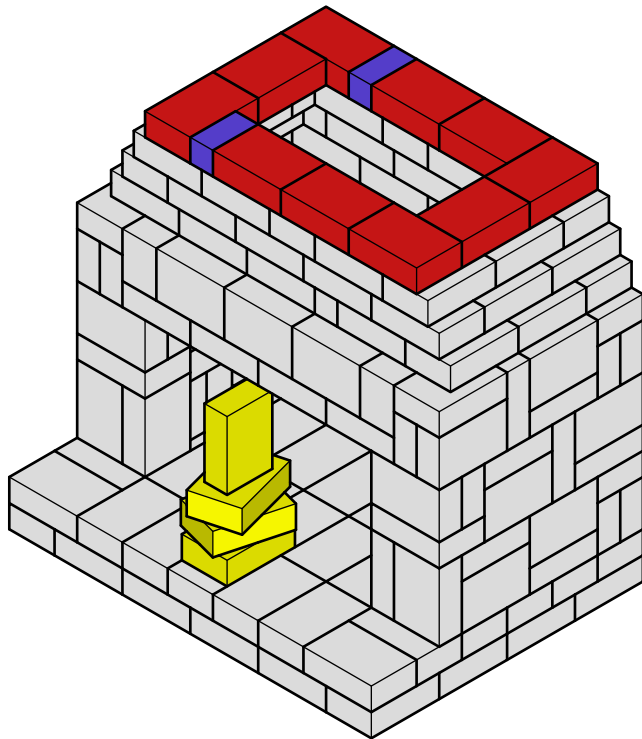
REVISIONS

	MM/DD/YY	REMARKS
1	06/004/15	2 SKU and QR update
2	---/---/---	...
3	---/---/---	...
4	---/---/---	...
5	---/---/---	...

Keep the back wall of the fireplace flush. Rack the block in approximately 2" from each side.



4x4x8 Third Block



When constructing your project, be sure to keep all blocks level, square, and plumb. Use a four foot level and check often. Starting on a level foundation is key. When gluing blocks together, be sure not to use too much adhesive - this will cause the blocks to "swim." A small bead is ideal.

Dakota Stone™

**BUILD WITH
DAKOTA**

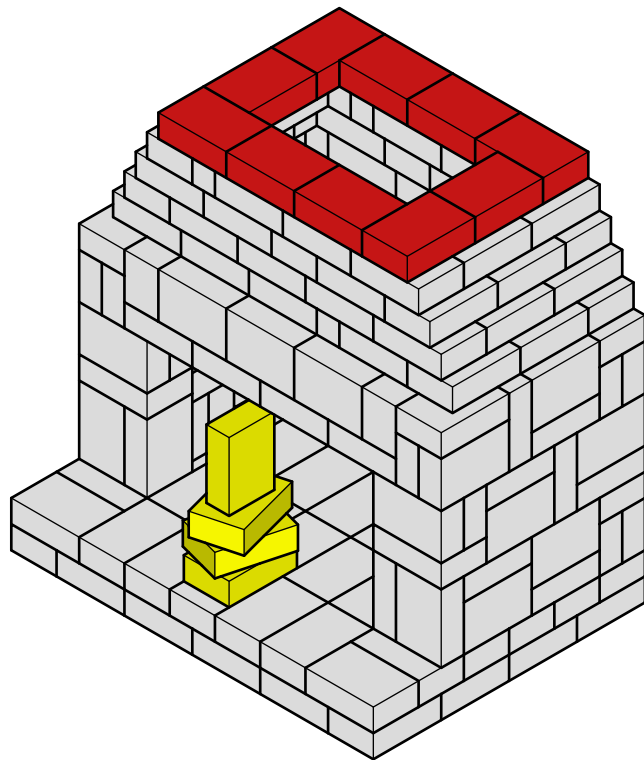
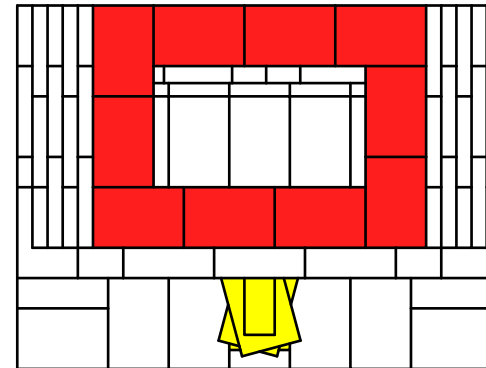
FPW-6440

Wide Fireplace

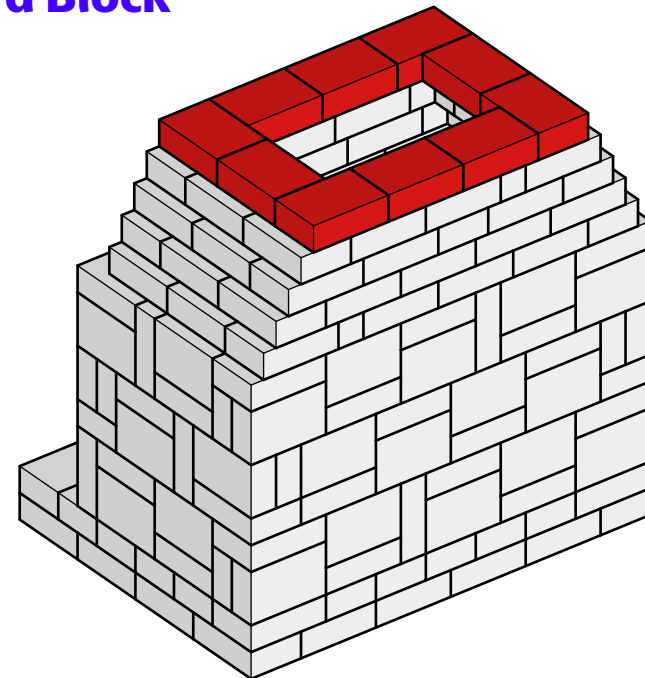
REVISIONS

	MM/DD/YY	REMARKS
1	06/004/15	2 SKU and QR update
2	--/--/--	...
3	--/--/--	...
4	--/--/--	...
5	--/--/--	...

Keep the back wall of the fireplace flush. Rack the block in approximately 2" from each side.



4x4x8 Third Block



When constructing your project, be sure to keep all blocks level, square, and plumb. Use a four foot level and check often. Starting on a level foundation is key. When gluing blocks together, be sure not to use too much adhesive - this will cause the blocks to "swim." A small bead is ideal.

Dakota Stone™

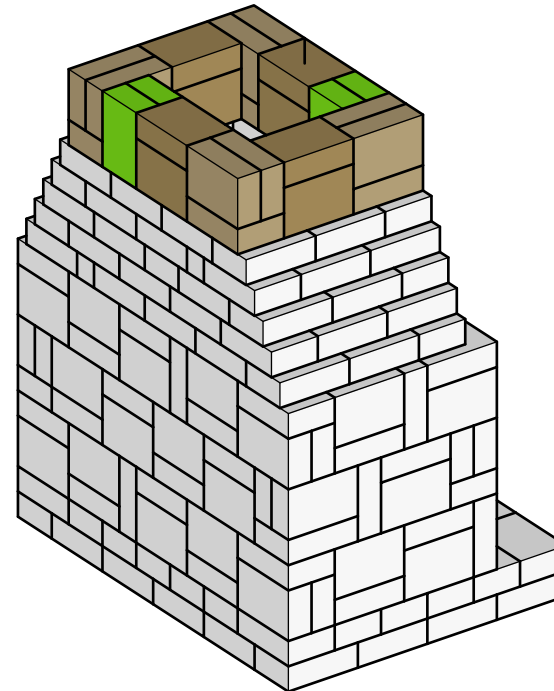
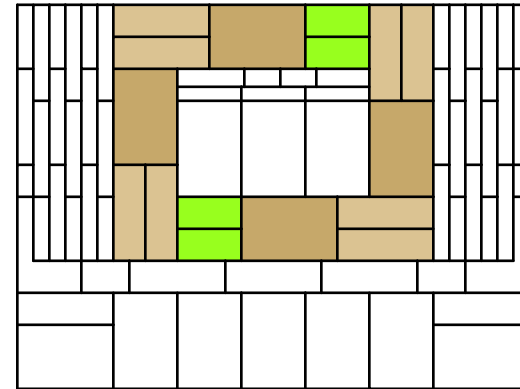
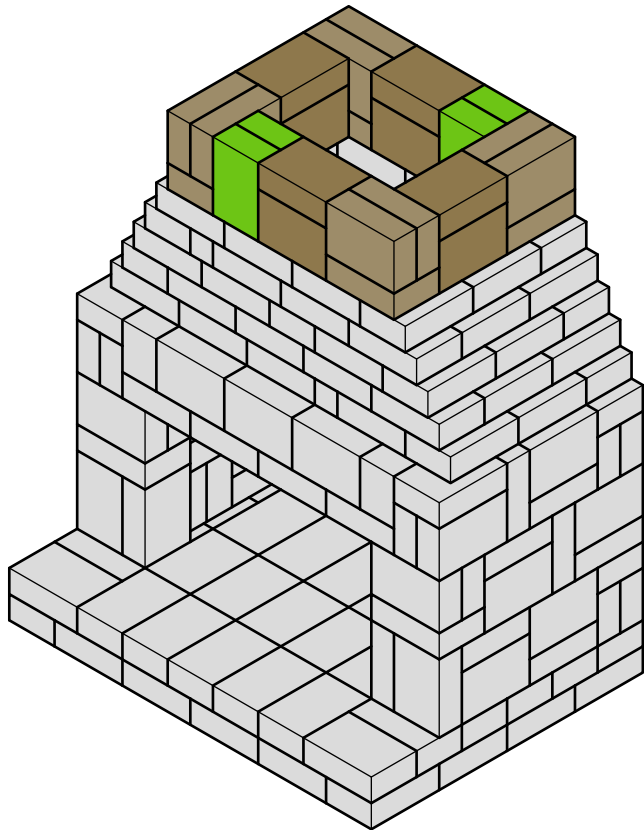
BUILD WITH DAKOTA

FPW-6440

Wide Fireplace

REVISIONS	
MM/DD/YY	REMARKS
1 06/004/15	2 SKU and QR update
2 ---/---/---	...
3 ---/---/---	...
4 ---/---/---	...
5 ---/---/---	...

Keep the back wall of the fireplace flush. Rack the block in approximately 2" from each side.



Remove your support blocks from step 12.

When constructing your project, be sure to keep all blocks level, square, and plumb. Use a four foot level and check often. Starting on a level foundation is key. When gluing blocks together, be sure not to use too much adhesive - this will cause the blocks to "swim." A small bead is ideal.

Dakota Stone™

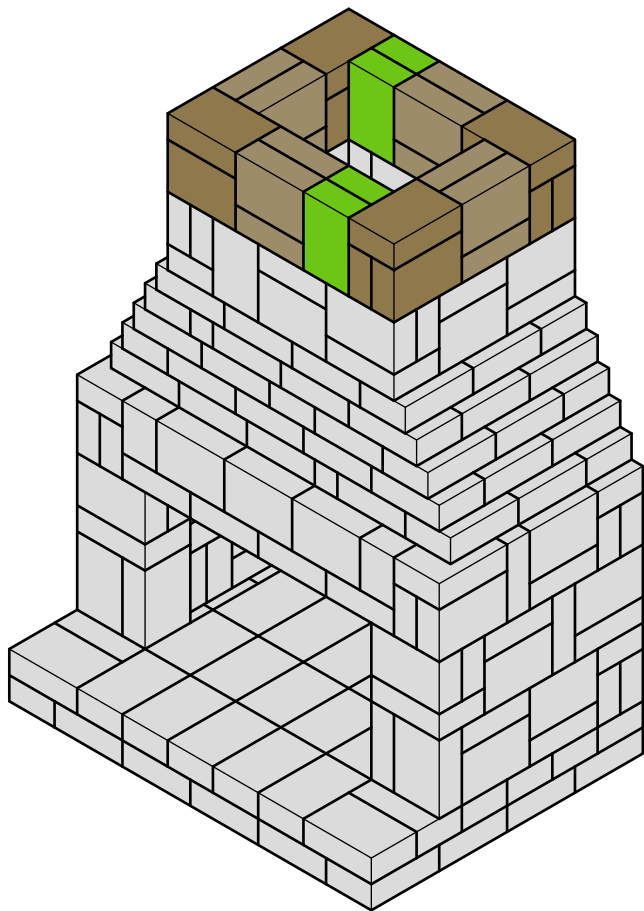
**BUILD WITH
DAKOTA**

FPW-6440

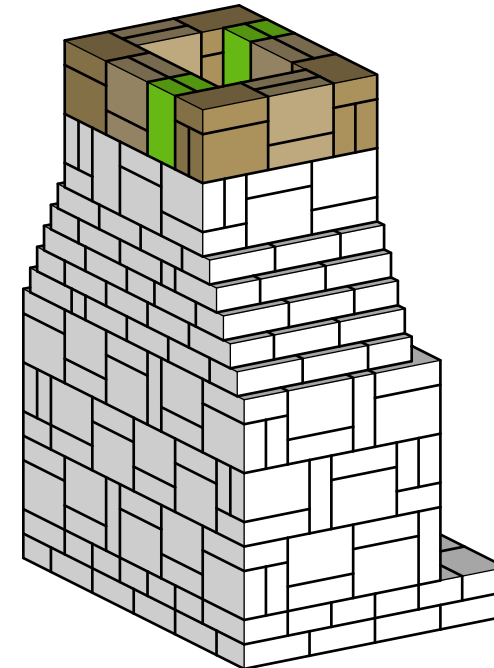
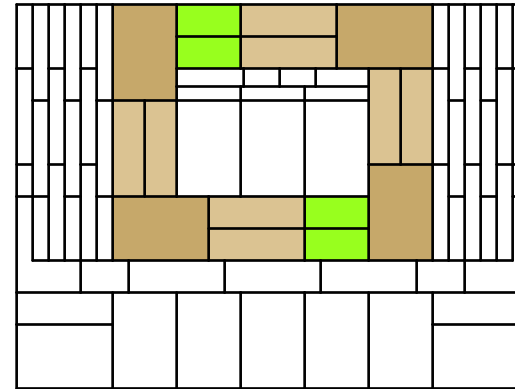
Wide Fireplace

REVISIONS

	MM/DD/YY	REMARKS
1	06/004/15	2 SKU and QR update
2	--/--/--	...
3	--/--/--	...
4	--/--/--	...
5	--/--/--	...



Remove your support blocks from step 12.



When constructing your project, be sure to keep all blocks level, square, and plumb. Use a four foot level and check often. Starting on a level foundation is key. When gluing blocks together, be sure not to use too much adhesive - this will cause the blocks to "swim." A small bead is ideal.

Dakota Stone™

**BUILD WITH
DAKOTA**

FPW-6440

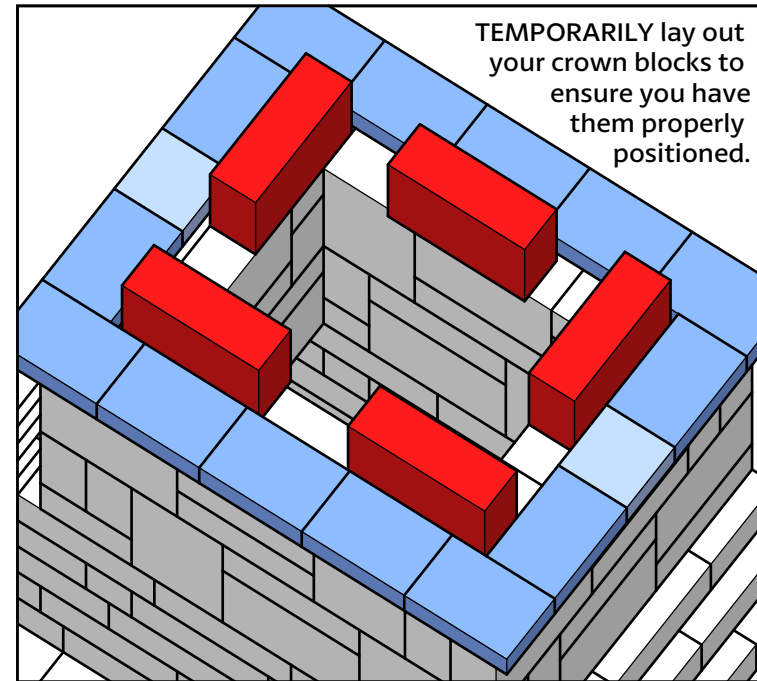
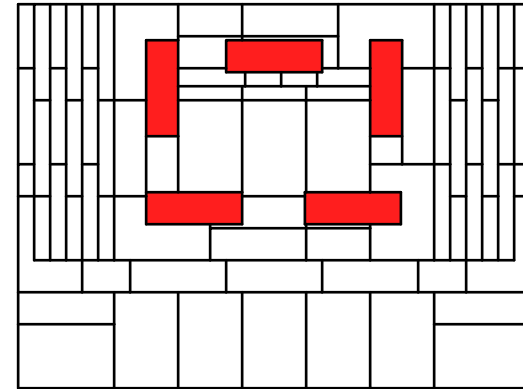
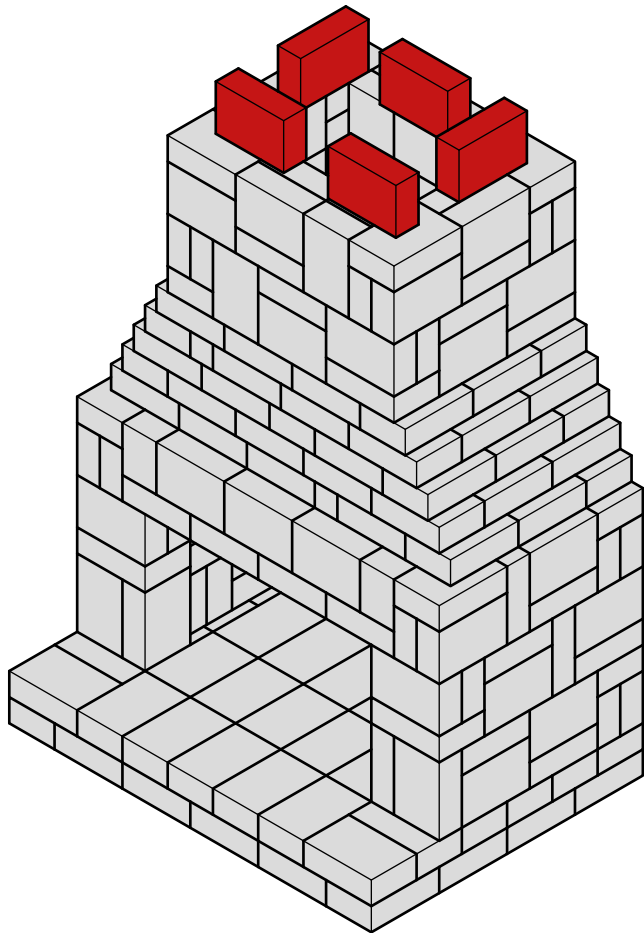
Wide Fireplace

REVISIONS

	MM/DD/YY	REMARKS
1	06/004/15	2 SKU and QR update
2	--/--/--	...
3	--/--/--	...
4	--/--/--	...
5	--/--/--	...

24

Before gluing the top four blocks in place, TEMPORARILY lay out your crown blocks (blue shades) to ensure you have them properly positioned. **DO NOT GLUE THE CROWN BLOCKS AT THIS TIME.** Only glue the four cap support blocks (depicted in red). You want to pull your support block in about 1/2" to allow extra room when squaring your cap later.



TEMPORARILY lay out your crown blocks to ensure you have them properly positioned.

When constructing your project, be sure to keep all blocks level, square, and plumb. Use a four foot level and check often. Starting on a level foundation is key. When gluing blocks together, be sure not to use too much adhesive - this will cause the blocks to "swim." A small bead is ideal.

Dakota Stone™

**BUILD WITH
DAKOTA**

FPW-6440

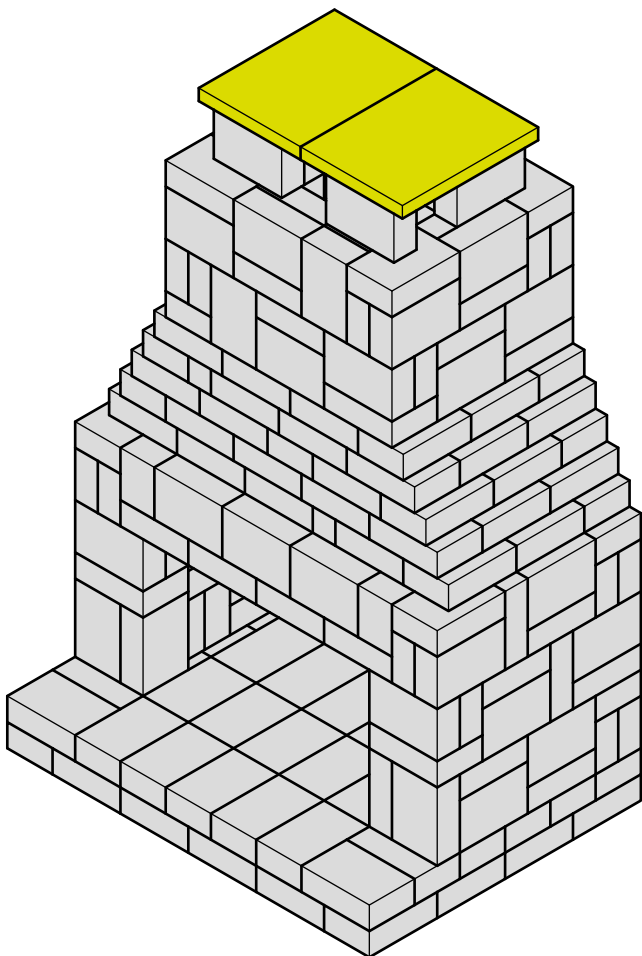
Wide Fireplace

REVISIONS

	MM/DD/YY	REMARKS
1	06/004/15	2 SKU and QR update
2	--/--/--	...
3	--/--/--	...
4	--/--/--	...
5	--/--/--	...

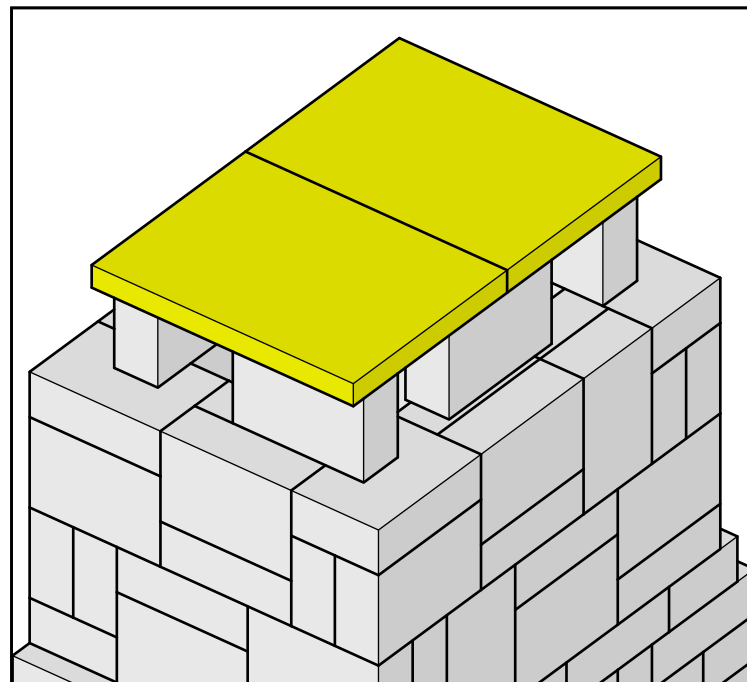
Remove the crown blocks before you install the large cap block.

Allow the adhesive to fully cure before proceeding to lay the cap on these supports.



After the adhesive is set, place the two cap blocks up-side-down on the top of your five blocks. Since the stones will be viewed from the ground looking up, the decorative side of the cap should be facing the ground. You may need to add some sand or coins to keep the caps from rocking on the block.

Placing the caps is the hardest part of the entire build. Use ladders and/or scaffolding. You can use the ledges created by the raked block as a "strairway" to move the block up until the final heave.



When constructing your project, be sure to keep all blocks level, square, and plumb. Use a four foot level and check often. Starting on a level foundation is key. When gluing blocks together, be sure not to use too much adhesive - this will cause the blocks to "swim." A small bead is ideal.

Dakota Stone™

BUILD WITH DAKOTA

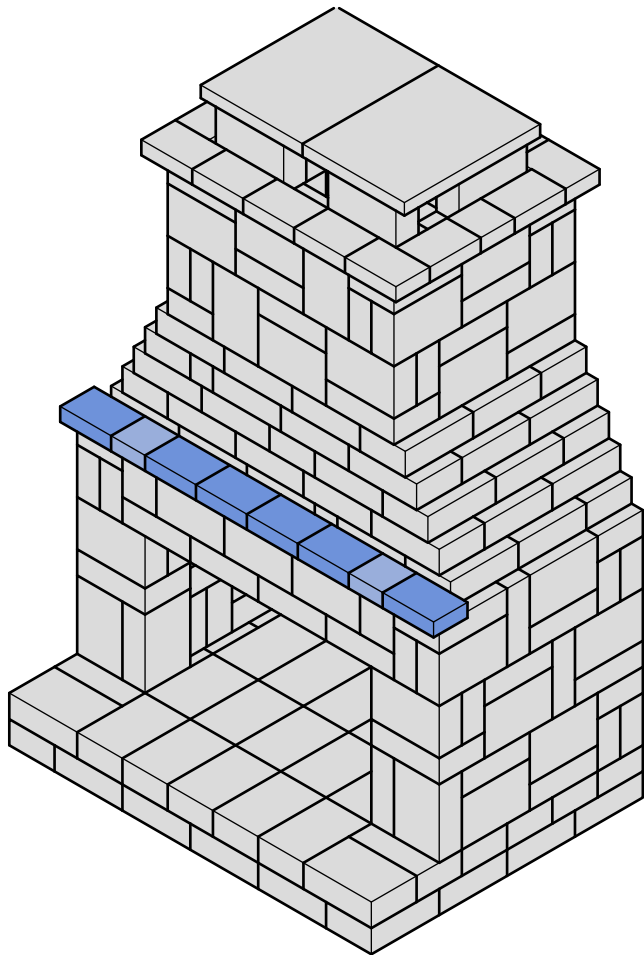
FPW-6440

Wide Fireplace

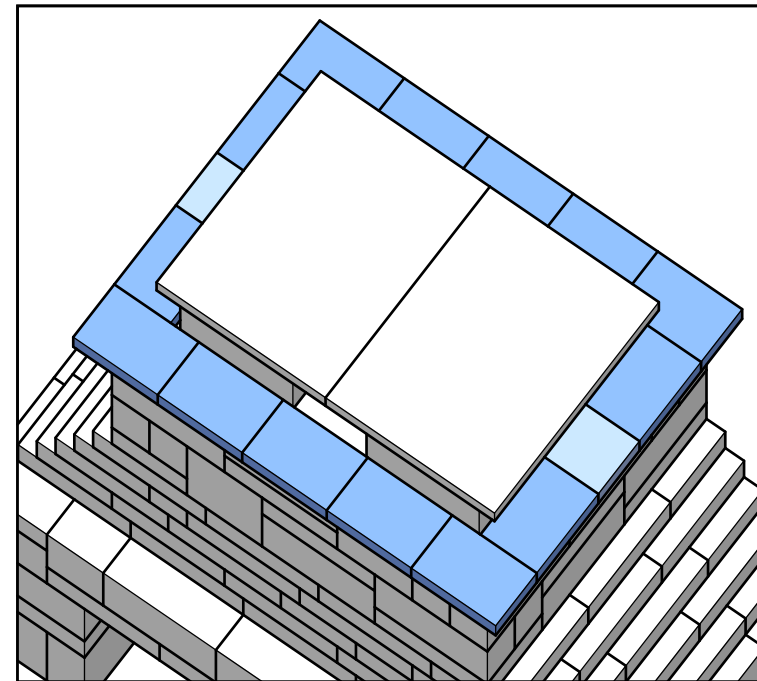
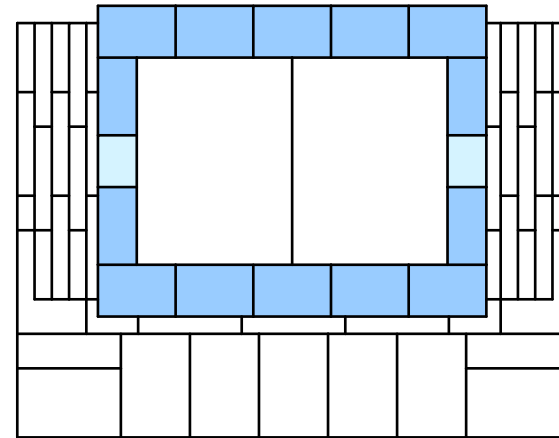
REVISIONS

	MM/DD/YY	REMARKS
1	06/004/15	2 SKU and QR update
2	--/--/--	...
3	--/--/--	...
4	--/--/--	...
5	--/--/--	...

Place the finishing blocks. You will want to be sure to keep these straight and square. Take your time. These are the finishing touches to your fireplace. Be sure to glue mantle pieces well. There will be no other weight to hold these in place only adhesive.



- 6x6
- 6x9



When constructing your project, be sure to keep all blocks level, square, and plumb. Use a four foot level and check often. Starting on a level foundation is key. When gluing blocks together, be sure not to use too much adhesive - this will cause the blocks to "swim." A small bead is ideal.

Dakota Stone™

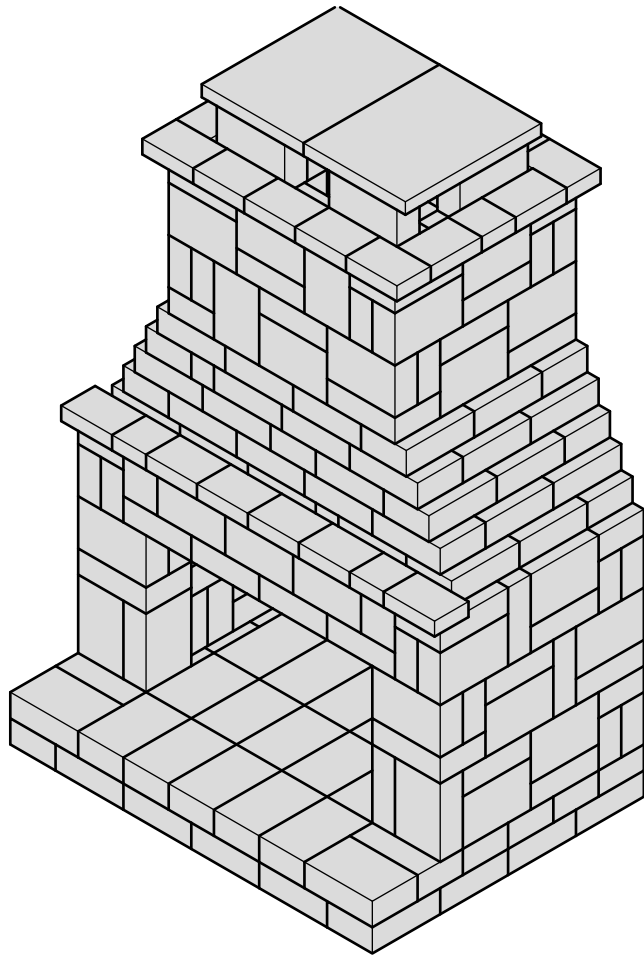
**BUILD WITH
DAKOTA**

FPW-6440

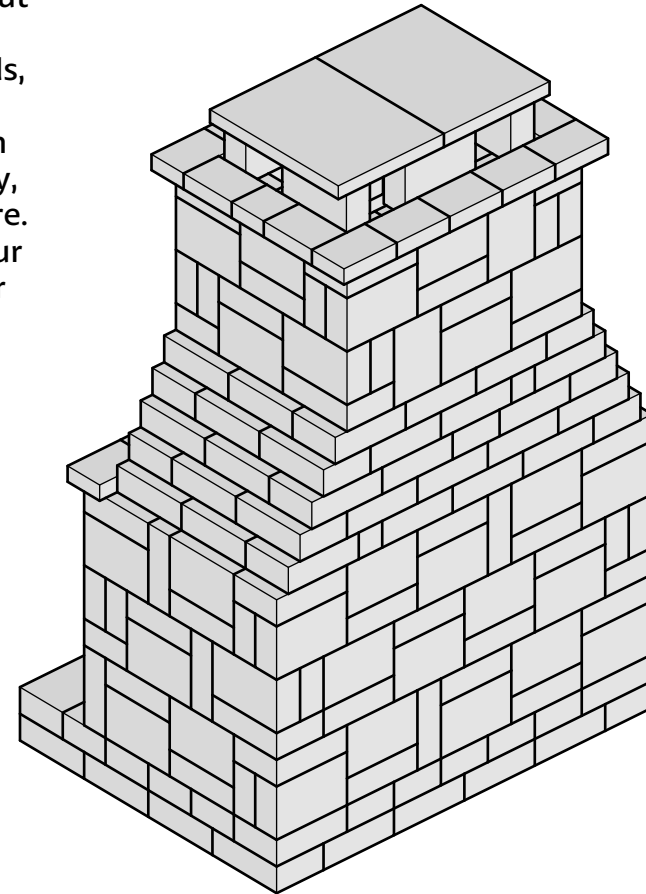
Wide Fireplace

REVISIONS

	MM/DD/YY	REMARKS
1	06/004/15	2 SKU and QR update
2	--/--/--	...
3	--/--/--	...
4	--/--/--	...
5	--/--/--	...



Allow the fireplace to cure for 72 hours before building your first fire. Then follow the 30/60/90 rule. Build a fire that will put itself out in 30 minutes. After it cools, build one that extinguishes itself in sixty minutes. Finally, build a 90 min-ute fire. Congratulations! Your fireplace is ready for use.



When constructing your project, be sure to keep all blocks level, square, and plumb. Use a four foot level and check often. Starting on a level foundation is key. When gluing blocks together, be sure not to use too much adhesive - this will cause the blocks to "swim." A small bead is ideal.

Dakota Stone™

**BUILD WITH
DAKOTA**

FPW-6440

Wide Fireplace

REVISIONS

	MM/DD/YY	REMARKS
1	06/004/15	2 SKU and QR update
2	--/--/--	...
3	--/--/--	...
4	--/--/--	...
5	--/--/--	...