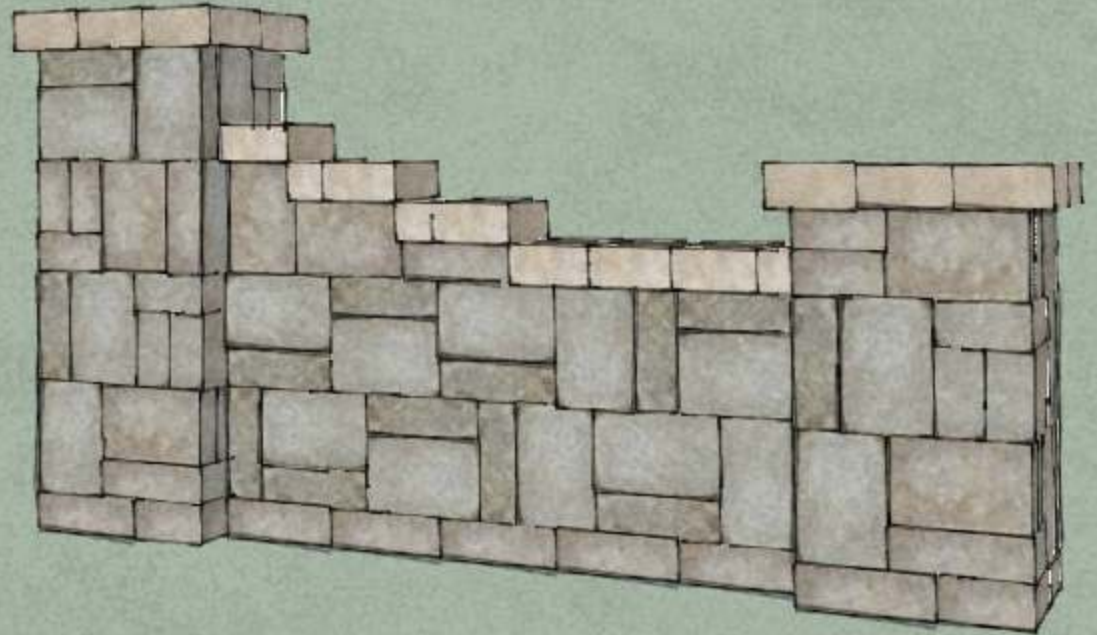
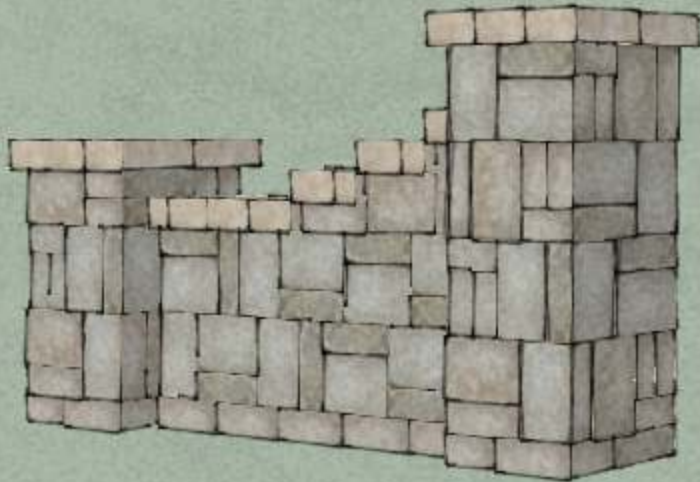
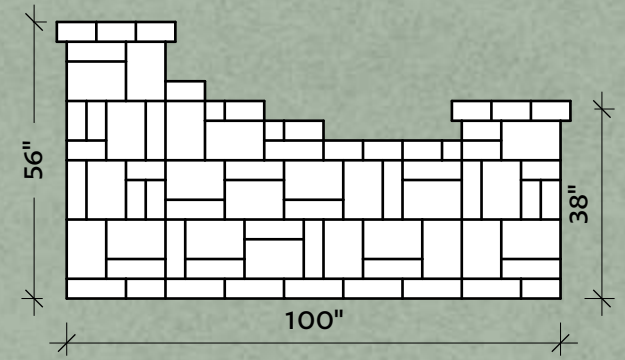
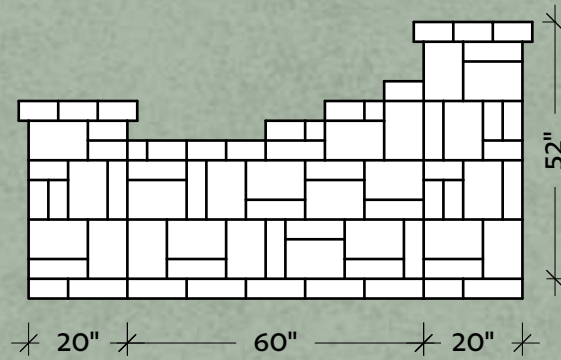


# GEP4-10020

Driveway/Garden Entrance

## FINLEY CREEK

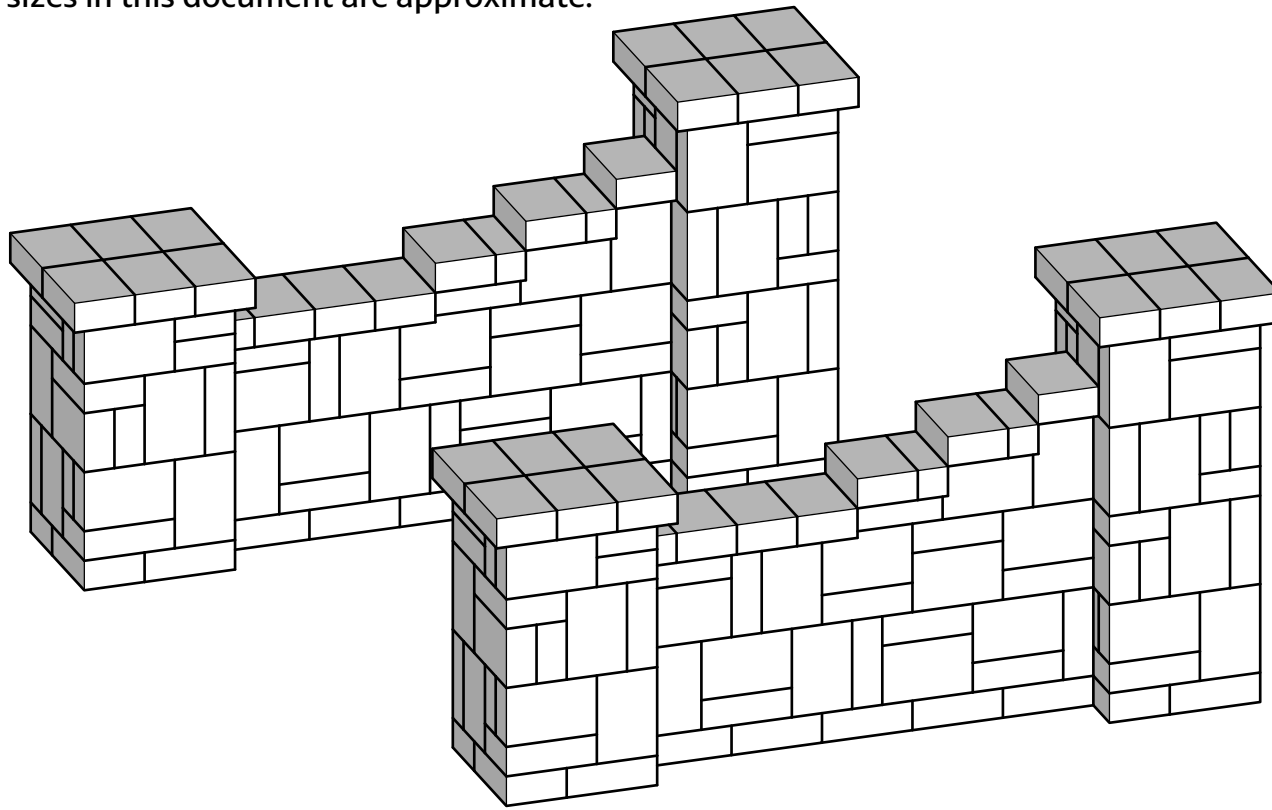


Dakota Stone™

Step by step instructions for assembling  
GEP4-10020 on a prepared surface/base.

**BUILD WITH  
DAKOTA**

All sizes in this document are approximate.



**Materials needed:**

- 298 Dakota Stone™ (4x8x12)
- 12 Tubes Adhesive

**Tools Needed:**

- Dead Blow Hammer
- Caulk Gun
- 4 Foot Level Torpedo
- Level Square
- Masonry Saw (2 cuts)

When constructing your project, be sure to keep all blocks level, square, and plumb. Use a four foot level and check often. Starting on a level foundation is key. When gluing blocks together, be sure not to use too much adhesive - this will cause the blocks to "swim." A small bead is ideal.

**Dakota Stone™**

**BUILD WITH  
DAKOTA**

**GEP4-10020**

Driveway/Garden Entrance

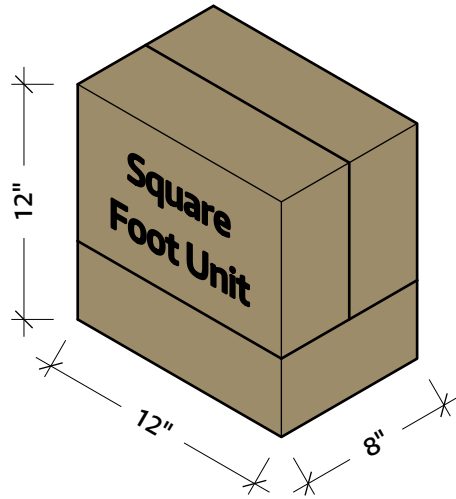
REVISIONS

REMARKS

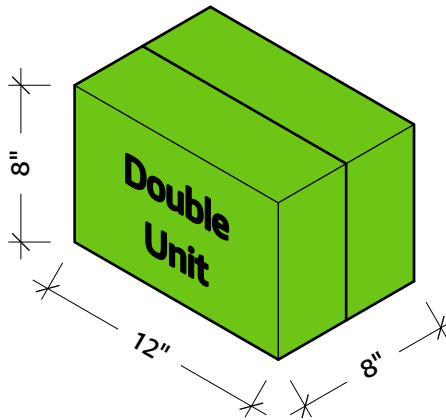
	MM/DD/YY	REMARKS
1	02/19/15	Added color for simplified instructions. -TP
2	06/04/15	2 SKU and QR update
3	--/--/--	...
4	--/--/--	...
5	--/--/--	...

**INFO**

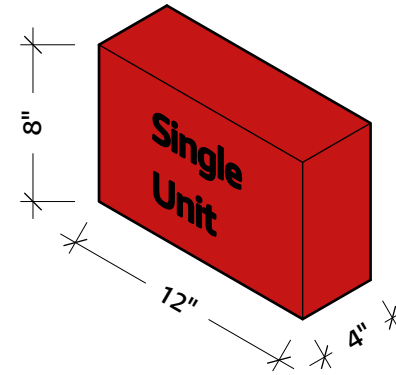
All sizes in this document are approximate.



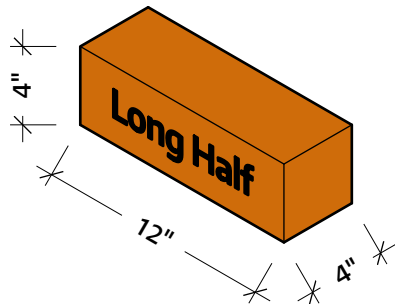
The "Square Foot Unit." consists of three block as shown. By rotating this unit (SFU) we are able to build quickly and easily while keeping bond lines broken up. These will always be shown in a tan color.



Sometimes SFUs are broken up or can't be used. The Double Unit is the next preferred unit. Double Units are grouped for strength and speed in construction. They are always represented in green.



The Single Unit is the basis for all the construction, of course. When used in a single or non-standard configuration, you will see Dakota Stone™ depicted in red.



Long Halves are simply made by cutting a block along its center on the longest axis.

## Unit Size Color Key

When constructing your project, be sure to keep all blocks level, square, and plumb. Use a four foot level and check often. Starting on a level foundation is key. When gluing blocks together, be sure not to use too much adhesive - this will cause the blocks to "swim." A small bead is ideal.

Dakota Stone™

**BUILD WITH  
DAKOTA**

**GEP4-10020**

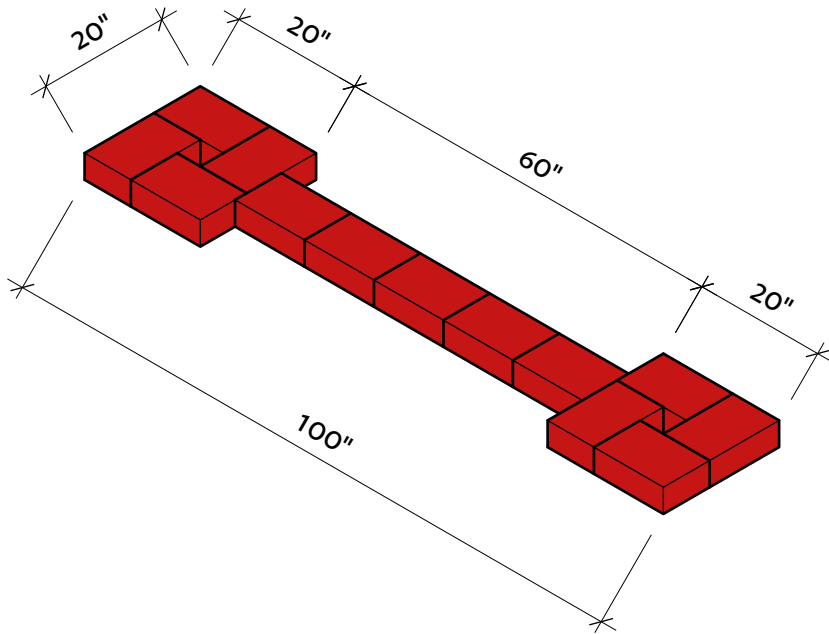
Driveway/Garden Entrance

REVISIONS

REMARKS

	MM/DD/YY	REMARKS
1	02/19/15	Added color for simplified instructions. -TP
2	06/04/15	2 SKU and QR update
3	--/--/--	...
4	--/--/--	...
5	--/--/--	...

**KEY1**

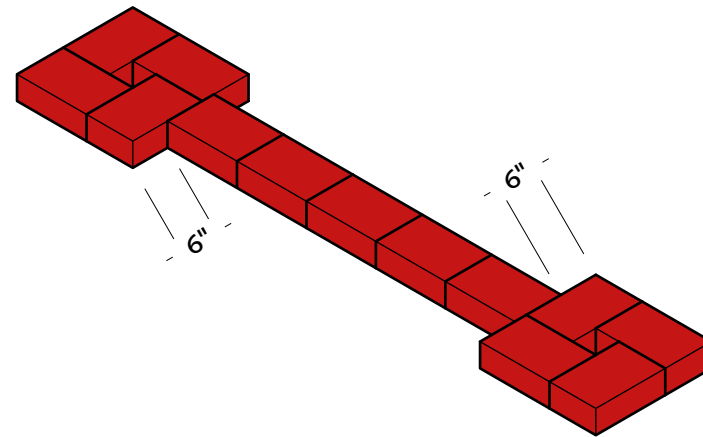


This set of instructions assumes you are building on a level grade on a level foundation. For stepped foundations, see section 8.

When constructing your project, be sure to keep all blocks level, square, and plumb. Use a four foot level and check often. Starting on a level foundation is key. When gluing blocks together, be sure not to use too much adhesive - this will cause the blocks to "swim." A small bead is ideal.

Lay out the first course of your kit. This is the "foundation" on which you will build your entrance. Take time to make sure it is as perfect as possible. Be sure this course is level and square. Any mistakes made here will continue to show up as you build.

This first course should be completely below grade.



Dakota Stone™

**BUILD WITH  
DAKOTA**

**GEP4-10020**

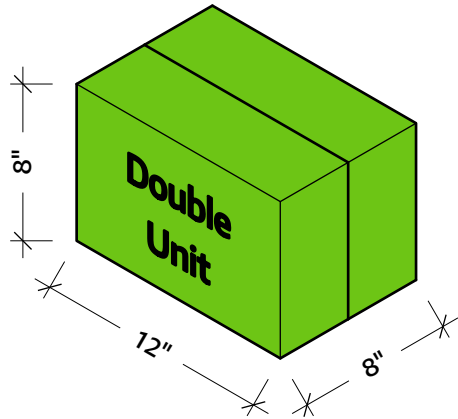
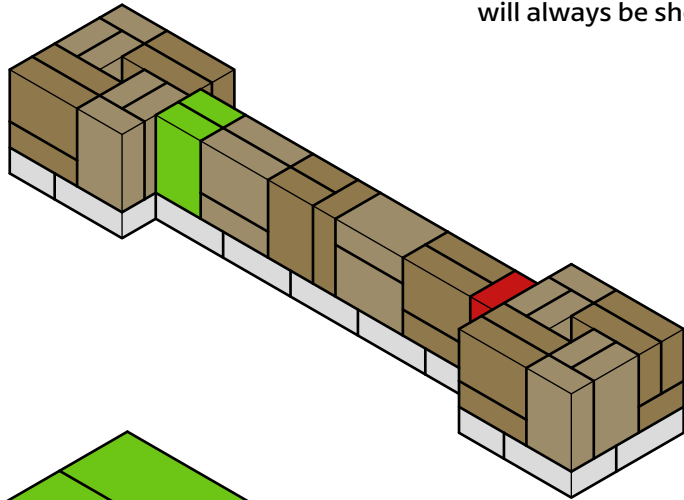
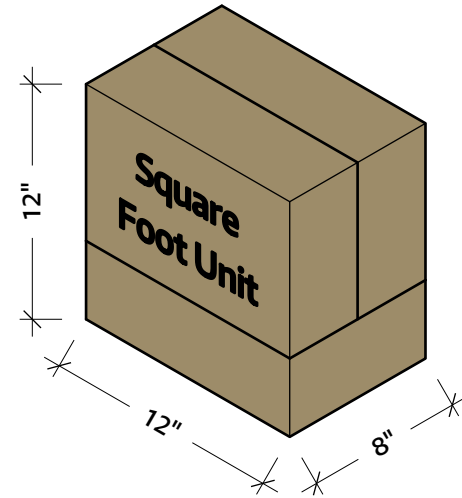
Driveway/Garden Entrance

REVISIONS

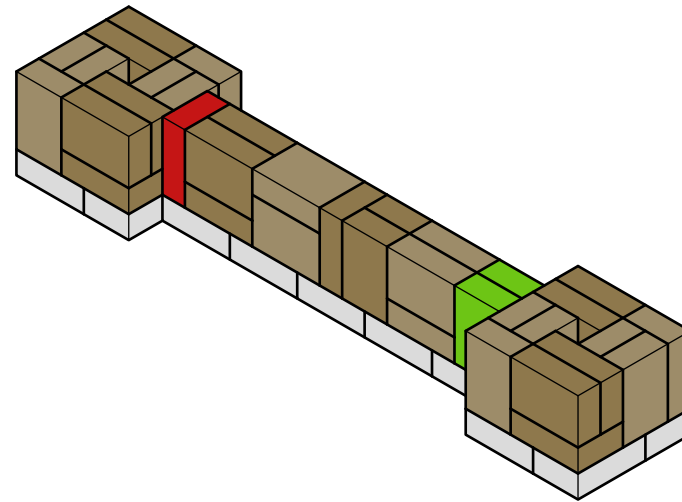
	MM/DD/YY	REMARKS
1	02/19/15	Added color for simplified instructions. -TP
2	06/04/15	2 SKU and QR update
3	--/--/--	...
4	--/--/--	...
5	--/--/--	...

**01**

These instructions are not built block by block, but are primarily constructed using a "Square Foot Unit." The unit consists of three block as shown to the right. By rotating this unit (SFU) we are able to build quickly and easily while keeping the bond lines broken up. These will always be shown in a tan color.



Sometimes SFUs are broken up or can't be used. The Double Unit is our next preferred unit. Double Units are grouped for strength and speed in construction. They are always represented in green.



When constructing your project, be sure to keep all blocks level, square, and plumb. Use a four foot level and check often. Starting on a level foundation is key. When gluing blocks together, be sure not to use too much adhesive - this will cause the blocks to "swim." A small bead is ideal.

Dakota Stone™

**BUILD WITH  
DAKOTA**

**GEP4-10020**

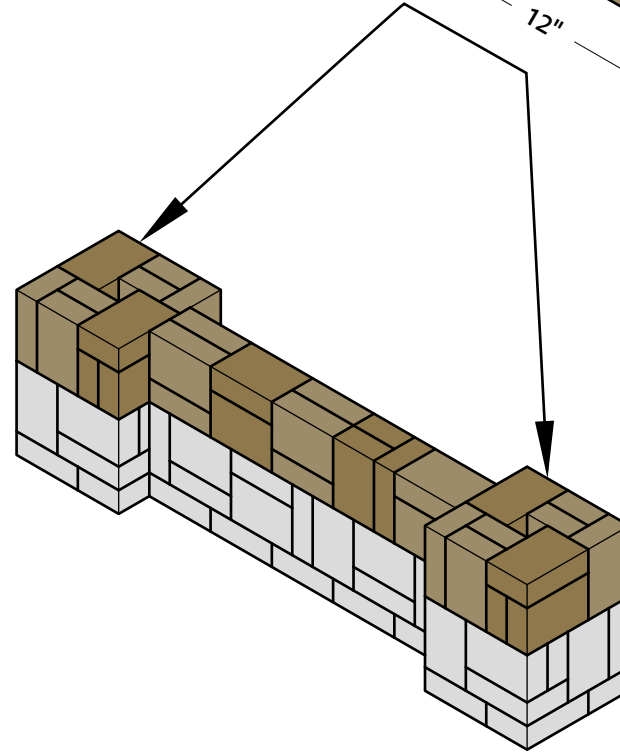
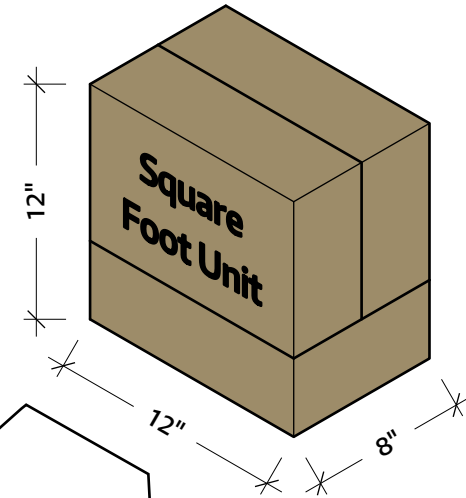
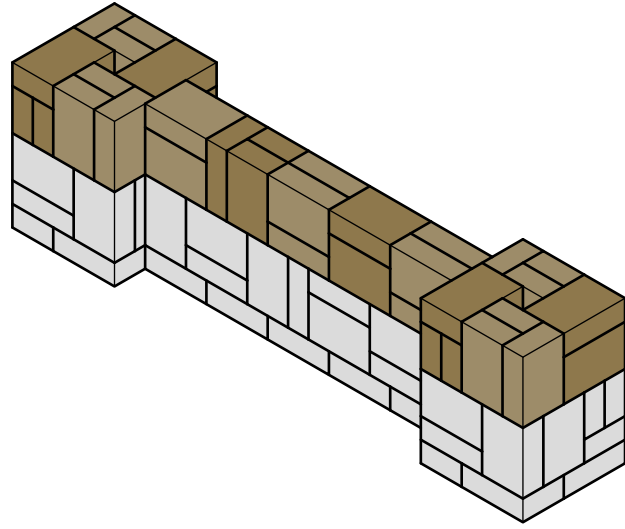
Driveway/Garden Entrance

REVISIONS

	MM/DD/YY	REMARKS
1	02/19/15	Added color for simplified instructions. -TP
2	06/04/15	2 SKU and QR update
3	--/--/--	...
4	--/--/--	...
5	--/--/--	...

**02**

Any time you see a block with just the wide top showing, fret not, it is a Square Foot Unit (SFU). The unit is just turned where the that is the only block you see.



Remember: Just use a small bead of glue on each block. You don't want your blocks to "swim" due to too much glue. If some glue oozes out, DO NOT TRY TO CLEAN IT. You will only make a huge sticky mess. Wait for it to cure. Then, break or cut it away.

When constructing your project, be sure to keep all blocks level, square, and plumb. Use a four foot level and check often. Starting on a level foundation is key. When gluing blocks together, be sure not to use too much adhesive - this will cause the blocks to "swim." A small bead is ideal.

Dakota Stone™

**BUILD WITH  
DAKOTA**

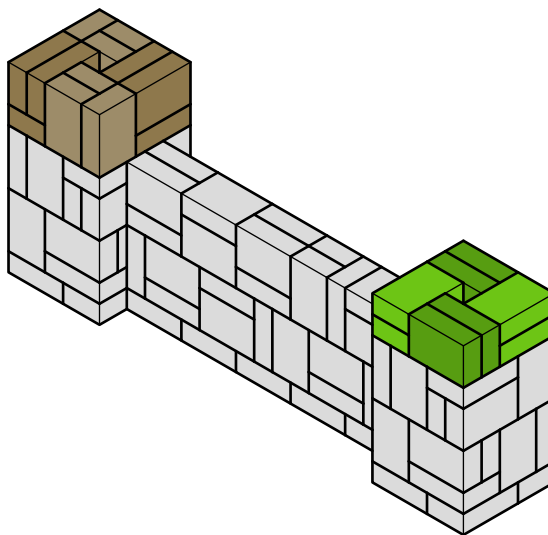
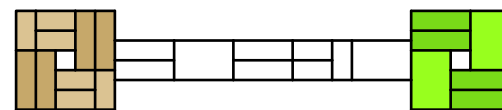
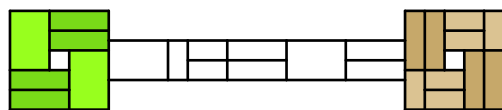
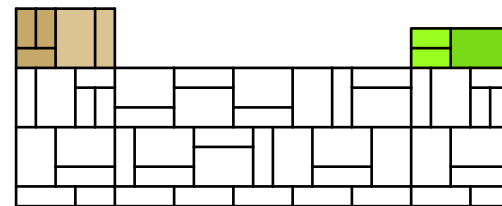
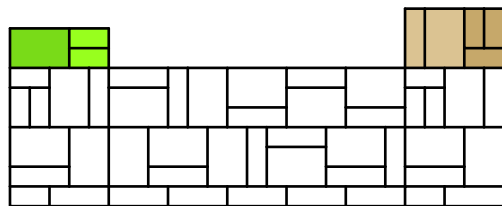
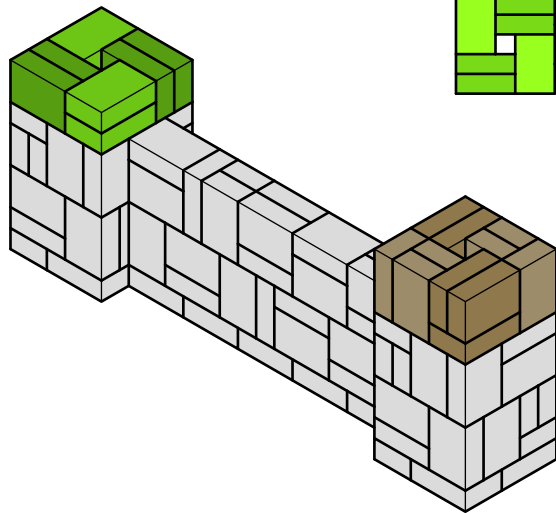
**GEP4-10020**

Driveway/Garden Entrance

REVISIONS

	MM/DD/YY	REMARKS
1	02/19/15	Added color for simplified instructions. -TP
2	06/04/15	2 SKU and QR update
3	--/--/--	...
4	--/--/--	...
5	--/--/--	...

**03**



Be sure to keep your piers plumb. Be sure they do not start to twist on you, too.

When constructing your project, be sure to keep all blocks level, square, and plumb. Use a four foot level and check often. Starting on a level foundation is key. When gluing blocks together, be sure not to use too much adhesive - this will cause the blocks to "swim." A small bead is ideal.

Dakota Stone™

**BUILD WITH  
DAKOTA**

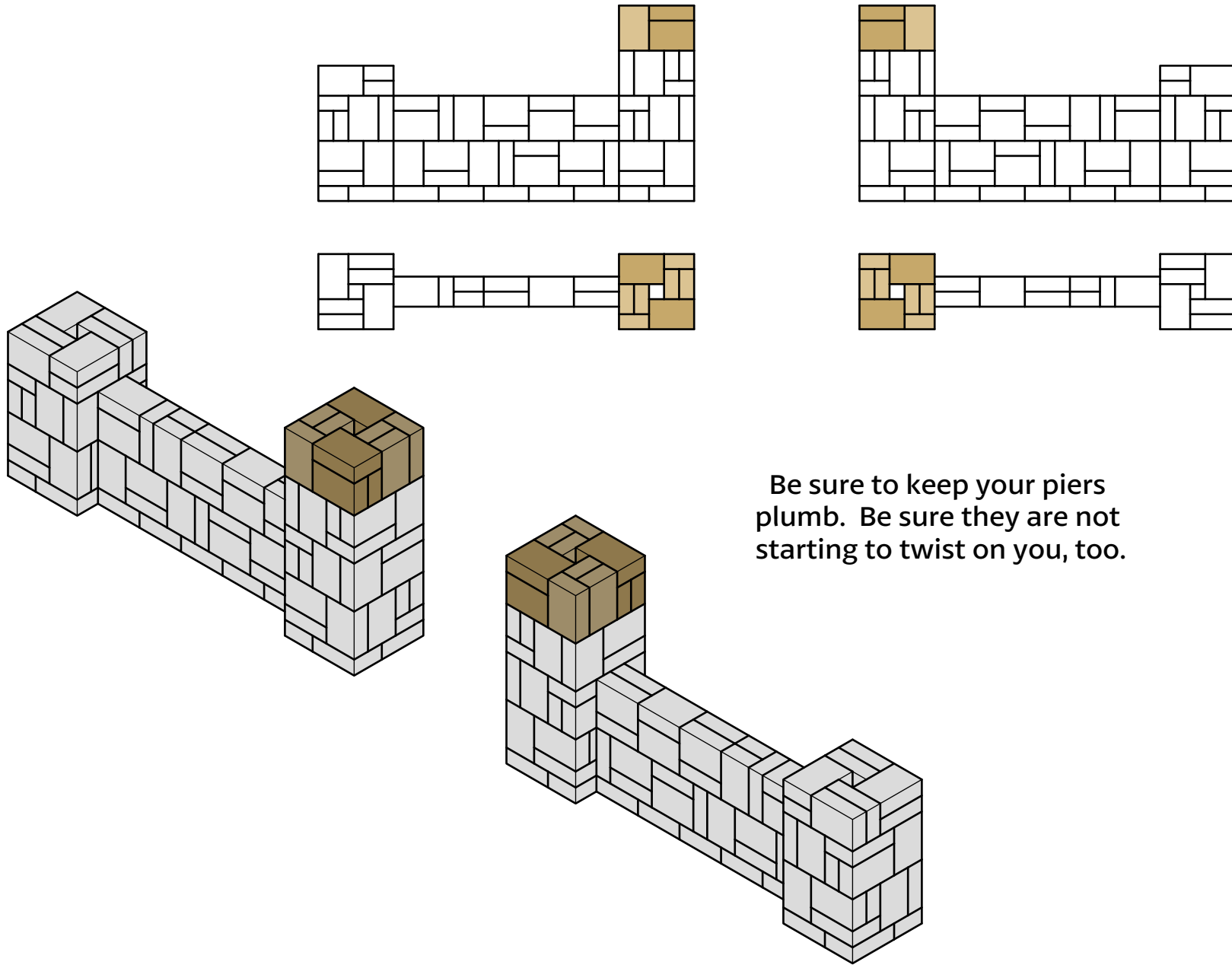
**GEP4-10020**

Driveway/Garden Entrance

REVISIONS

	MM/DD/YY	REMARKS
1	02/19/15	Added color for simplified instructions. -TP
2	06/04/15	2 SKU and QR update
3	--/--/--	...
4	--/--/--	...
5	--/--/--	...

**04**



Be sure to keep your piers plumb. Be sure they are not starting to twist on you, too.

When constructing your project, be sure to keep all blocks level, square, and plumb. Use a four foot level and check often. Starting on a level foundation is key. When gluing blocks together, be sure not to use too much adhesive - this will cause the blocks to "swim." A small bead is ideal.

Dakota Stone™

**BUILD WITH  
DAKOTA**

**GEP4-10020**

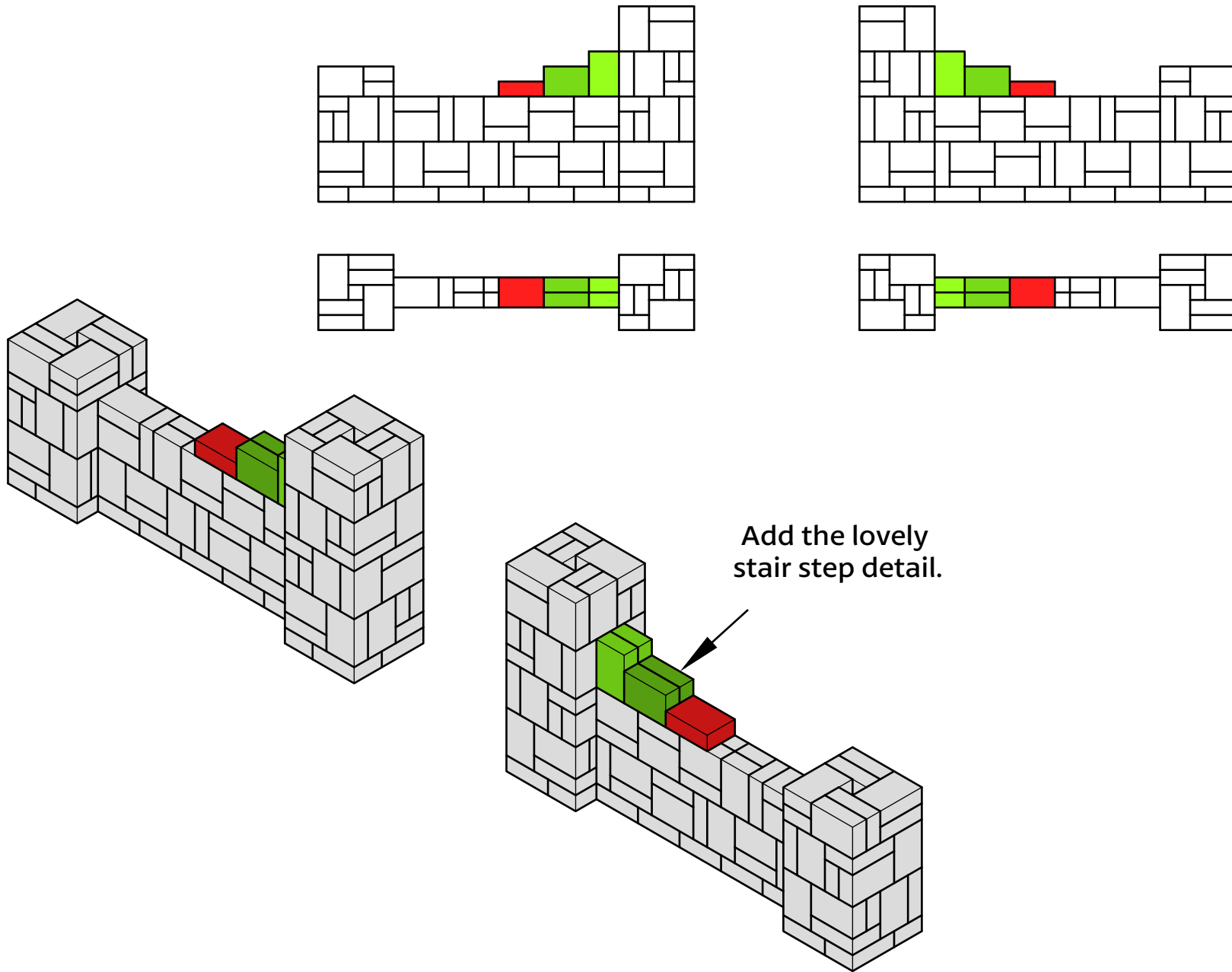
Driveway/Garden Entrance

REVISIONS

	MM/DD/YY	REMARKS
1	02/19/15	Added color for simplified instructions. -TP ...
2	06/04/15	2 SKU and QR update
3	--/--/--	...
4	--/--/--	...
5	--/--/--	...

**05**





When constructing your project, be sure to keep all blocks level, square, and plumb. Use a four foot level and check often. Starting on a level foundation is key. When gluing blocks together, be sure not to use too much adhesive - this will cause the blocks to "swim." A small bead is ideal.

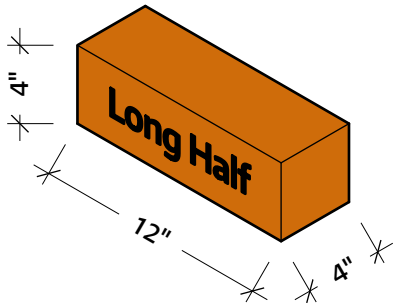
Dakota Stone™

**BUILD WITH  
DAKOTA**

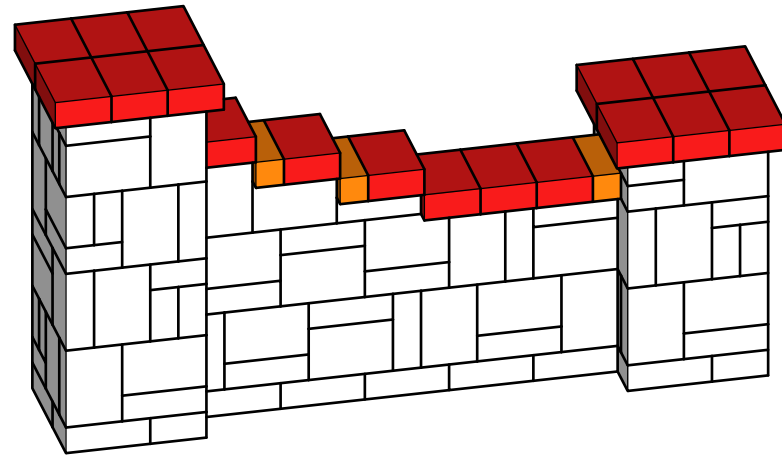
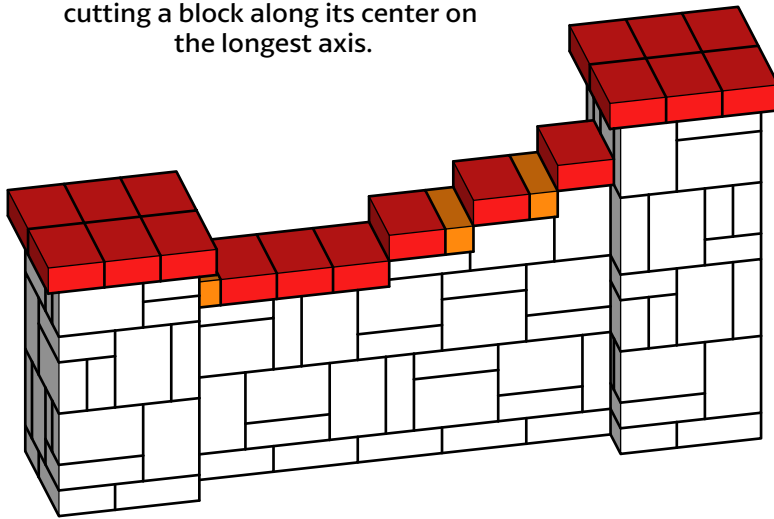
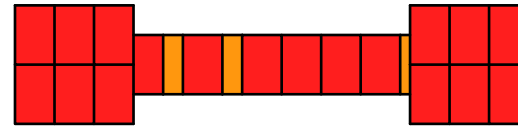
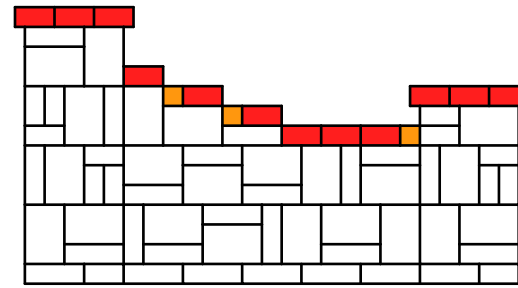
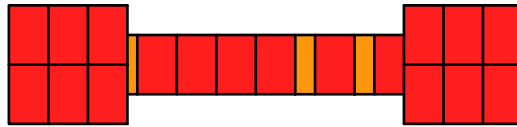
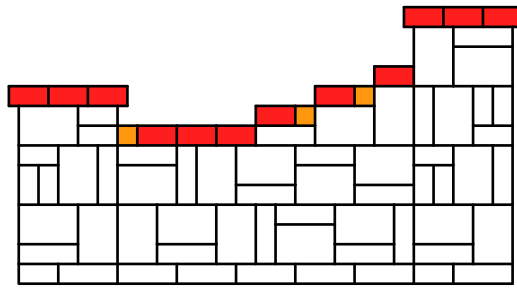
**GEP4-10020**

Driveway/Garden Entrance

		REVISIONS
	MM/DD/YY	REMARKS
1	02/19/15	Added color for simplified instructions. -TP ...
2	06/04/15	2 SKU and QR update
3	--/--/--	...
4	--/--/--	...
5	--/--/--	...



Long Halfs are simply made by cutting a block along its center on the longest axis.



When constructing your project, be sure to keep all blocks level, square, and plumb. Use a four foot level and check often. Starting on a level foundation is key. When gluing blocks together, be sure not to use too much adhesive - this will cause the blocks to "swim." A small bead is ideal.

Dakota Stone™

**BUILD WITH  
DAKOTA**

**GEP4-10020**

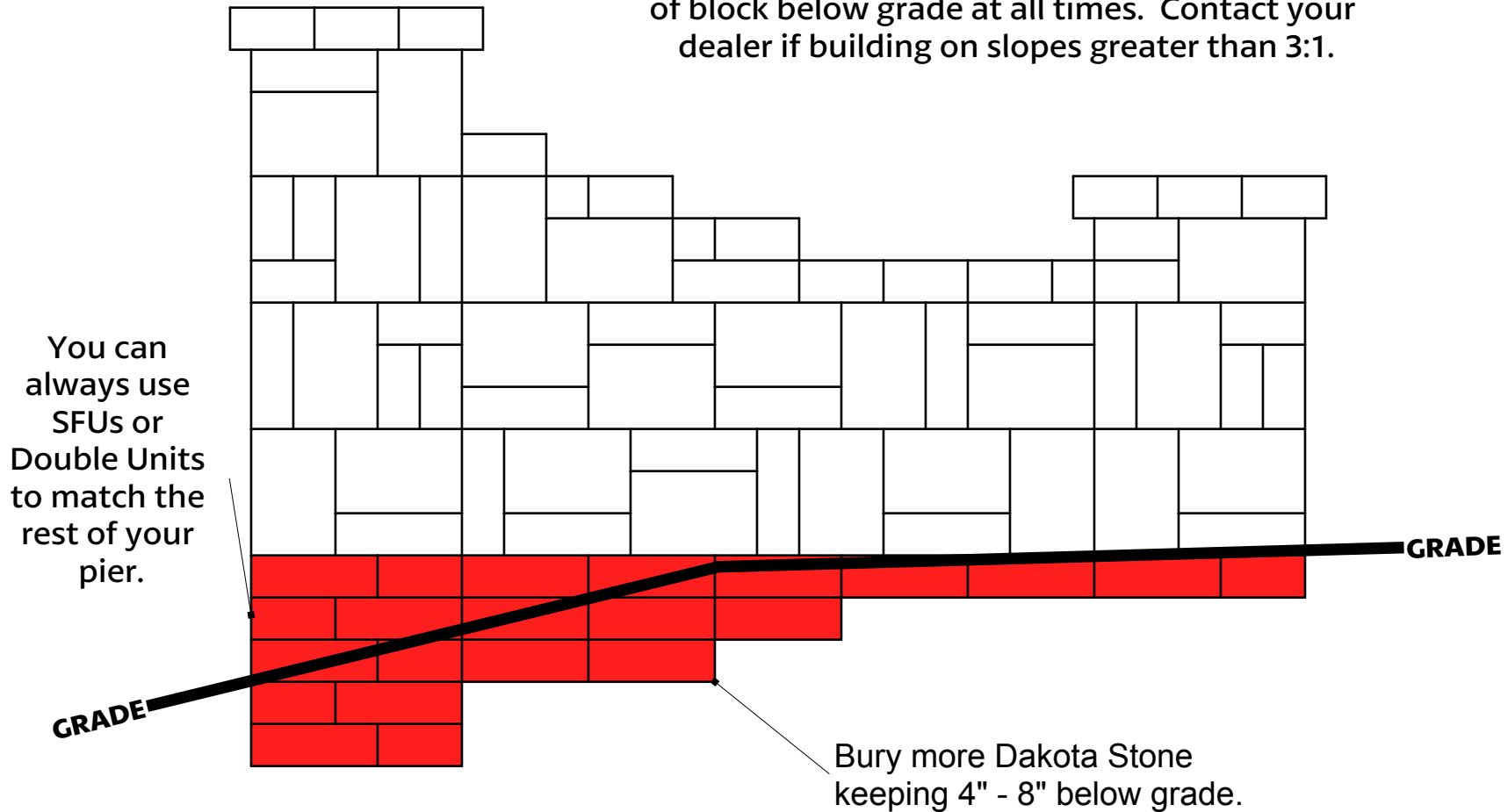
Driveway/Garden Entrance

REVISIONS

	MM/DD/YY	REMARKS
1	02/19/15	Added color for simplified instructions. -TP
2	06/04/15	2 SKU and QR update
3	--/--/--	...
4	--/--/--	...
5	--/--/--	...

**07**

When building on sloping grades, you will have to adjust your footing in 4" increments to add more blocks. Make sure you are keeping 4" - 8" of block below grade at all times. Contact your dealer if building on slopes greater than 3:1.



When constructing your project, be sure to keep all blocks level, square, and plumb. Use a four foot level and check often. Starting on a level foundation is key. When gluing blocks together, be sure not to use too much adhesive - this will cause the blocks to "swim." A small bead is ideal.

Dakota Stone™

**BUILD WITH  
DAKOTA**

**GEP4-10020**

Driveway/Garden Entrance

REVISIONS

	MM/DD/YY	REMARKS
1	02/19/15	Added color for simplified instructions. -TP
2	06/04/15	2 SKU and QR update
3	--/--/--	
4	--/--/--	
5	--/--/--	